

PARTS LIST

Front lower trim



4 Clips



2 Spring nuts



2 Self-tapping screws



2 Alcohol swabs

**TOOL AND SUPPLIES REQUIRED**

Phillips screwdriver

Ratchet

10 mm Socket

Tape

Blanket

Eye protection (face shield, safety goggles, etc.)

Ruler

Shop towel

Drill

3 mm, 6 mm, and 8 mm Drill bits

Masking tape

Pushpin

File

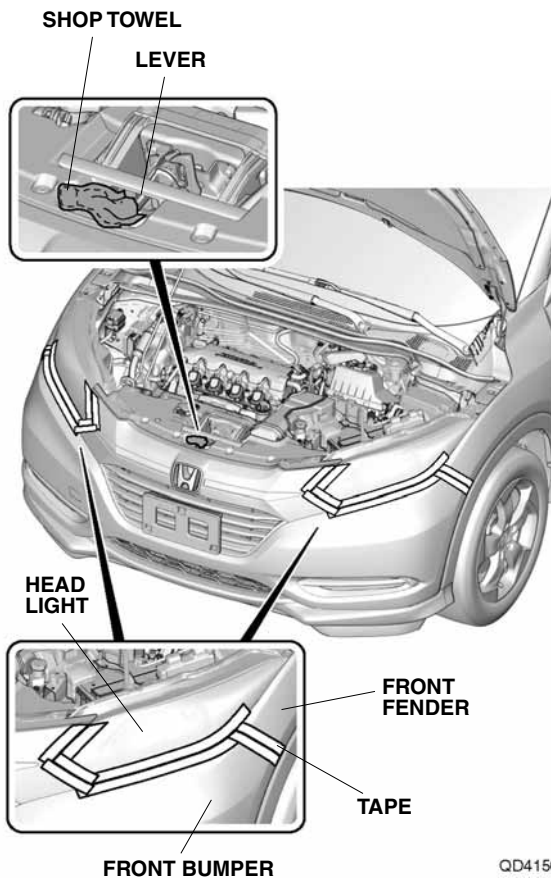
The following tool is available through the Honda Tool and Equipment Program. On the iN, click on: Service > Service Bay > Tool and Equipment Program, then enter the number under "Search". Or, call 888-424-6857.

- Trim Tool Set (T/N SOJATP2014)
- Plastic Trim Tool (T/N SILTRIMTL10)

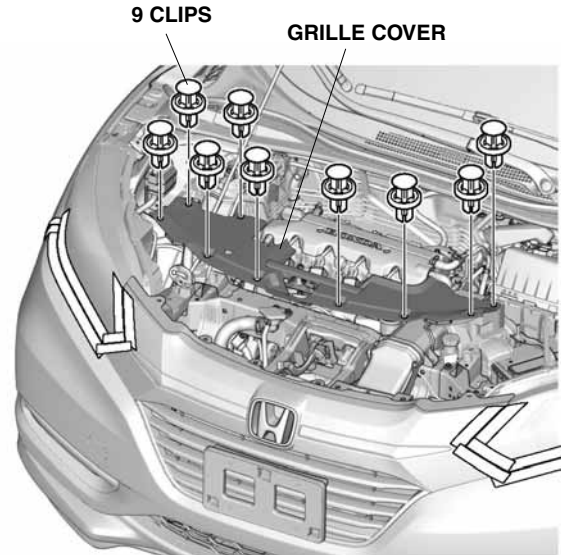
INSTALLATION

Customer Information: The information in this installation instruction is intended for use only by skilled technicians who have the proper tools, equipment, and training to correctly and safely add equipment to your vehicle. These procedures should not be attempted by “do-it-yourselfers.”

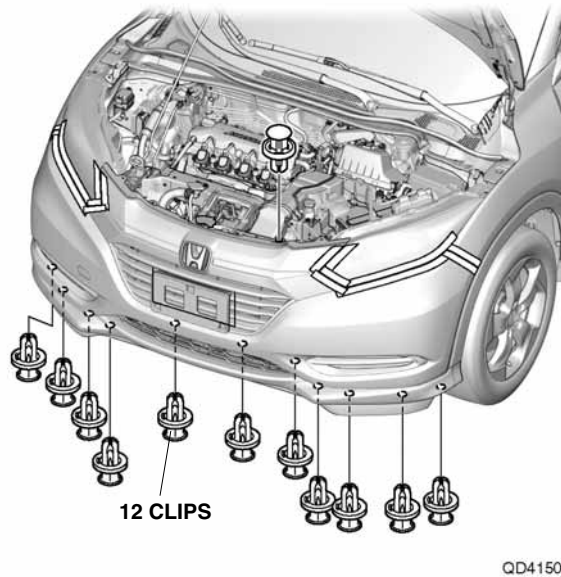
1. Disconnect the negative cable from the battery.
2. Remove the front bumper:
 - Wrap a shop towel around the lever.
 - Attach tape to the areas shown on each side.



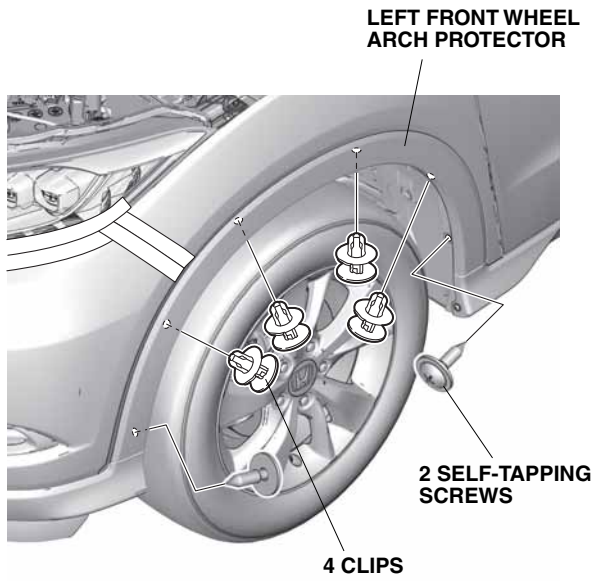
- Remove the grille cover.



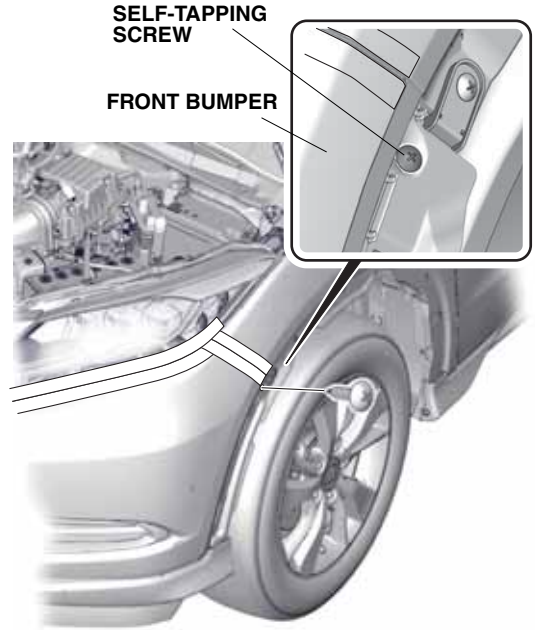
- Remove the 12 clips.



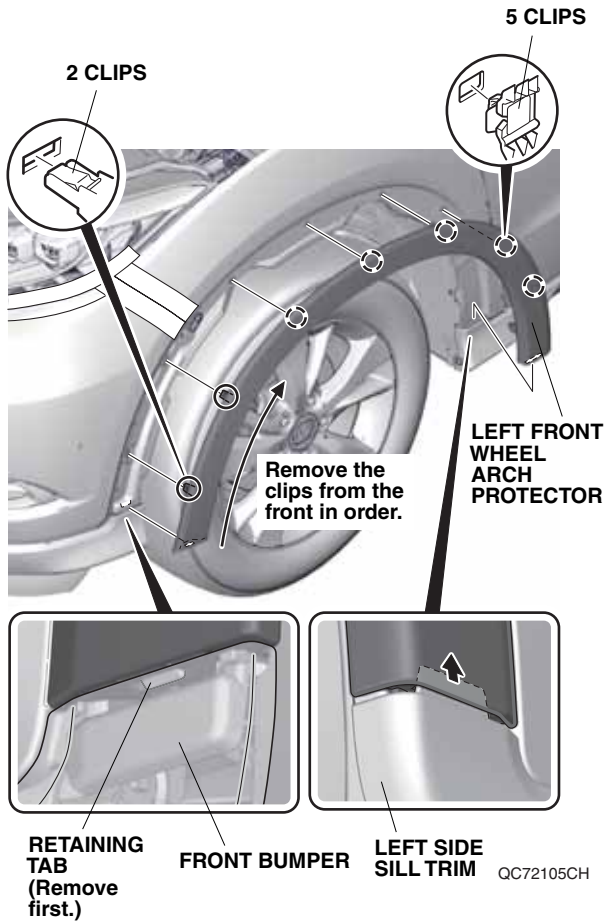
- Remove the four clips and two self-tapping screws on each side.



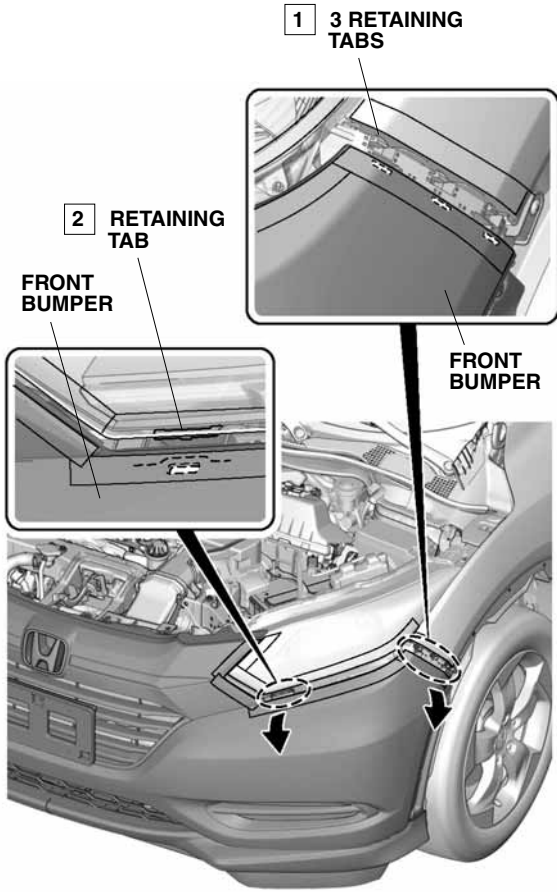
- Remove one self-tapping screw on each side.



- Remove the front wheel arch protector on each side.

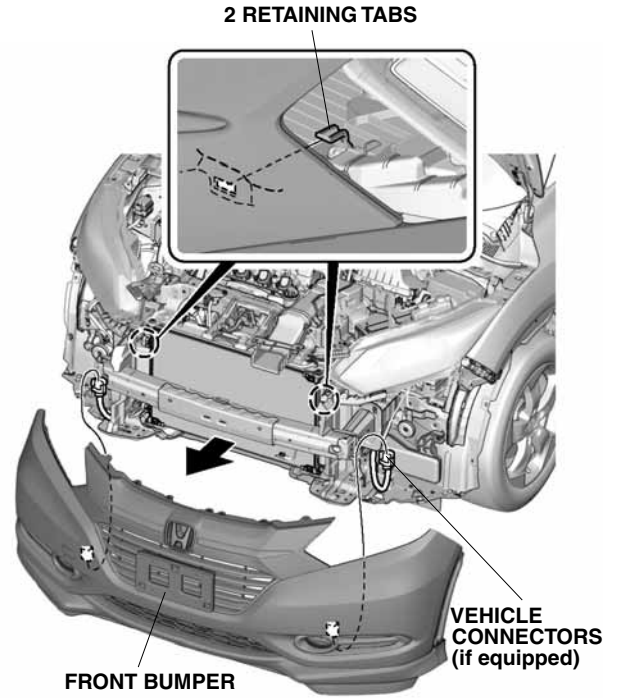


- Release four retaining tabs on each side.



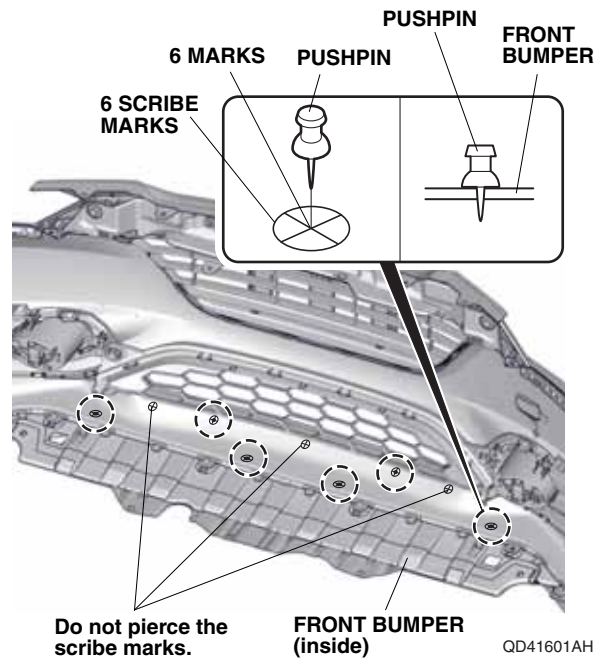
QD41505BH

- With the help of an assistant, remove the front bumper and unplug the vehicle connectors, if equipped. Place the front bumper on the blanket to prevent damage.



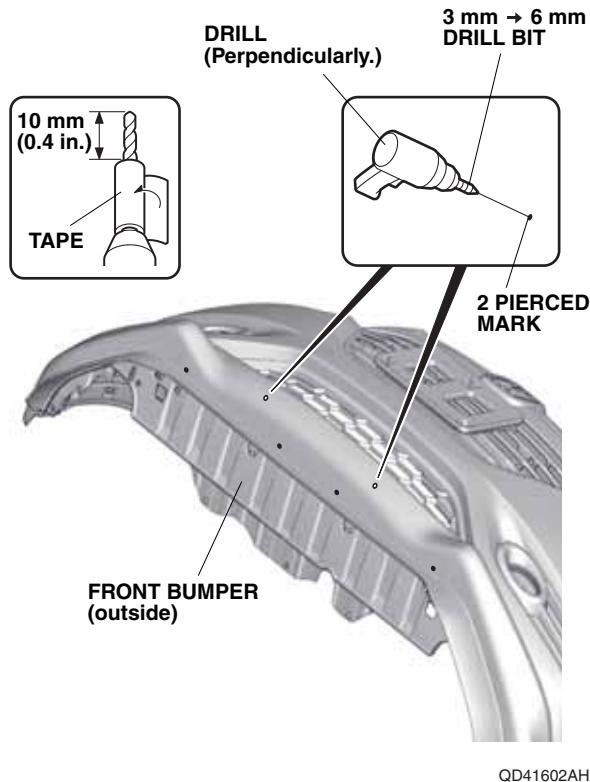
QD41506BH

- Using a pushpin, pierce the front bumper at the center of the six scribe marks.

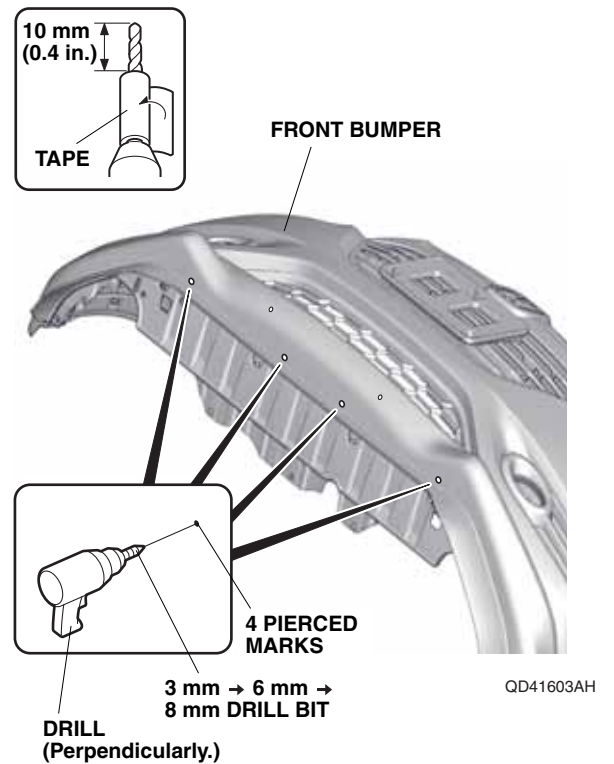


QD41601AH

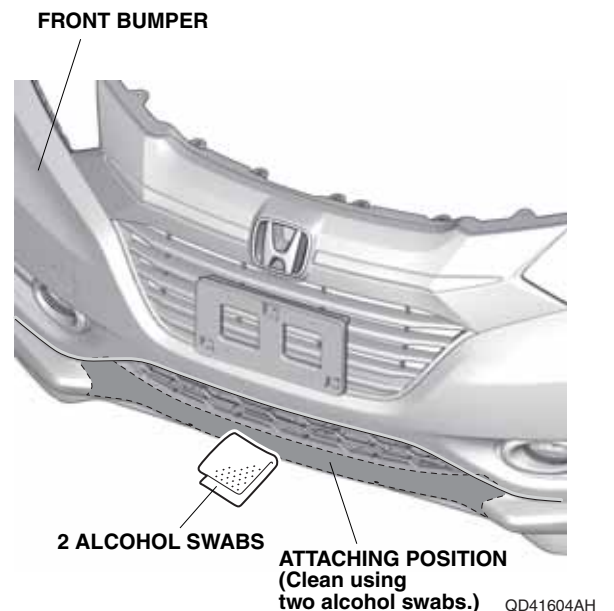
4. While wearing eye protection, drill the two pierced marks to 6 mm:
 - Wrap tape around each drill bit 10 mm (0.4 in.) away from the tip or use a drill stop.
 - First drill with a 3 mm drill bit, and finish with a 6 mm drill bit.
 - Remove all burrs.



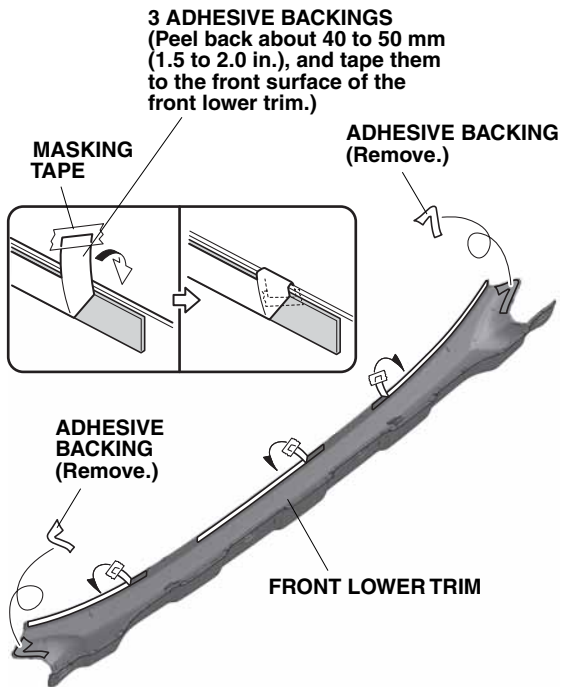
5. While wearing eye protection, drill the four pierced marks to 8 mm.
 - Wrap tape around each drill bit 10 mm (0.4 in.) away from the tip or use a drill stop.
 - First drill with a 3 mm drill bit, and then with a 6 mm drill bit, and finish with an 8 mm drill bit.
 - Remove all burrs.



6. Using two alcohol swabs, thoroughly clean the area where the front lower trim will attach.

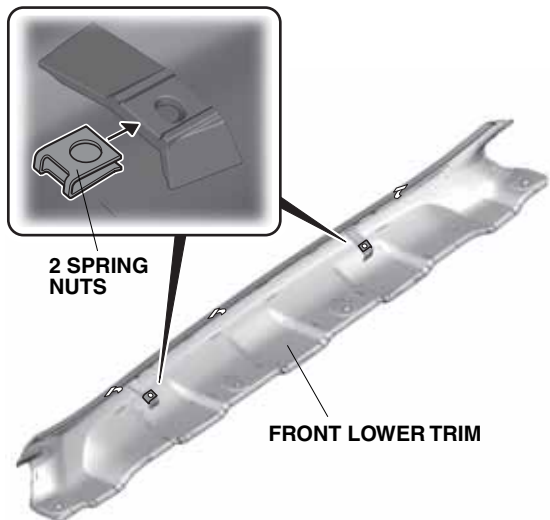


- Peel back about 40 to 50 mm (1.5 to 2.0 in.) of adhesive backing from each adhesive strip, and tape the ends to the front surface of the front lower trim. Remove the other adhesive backings.



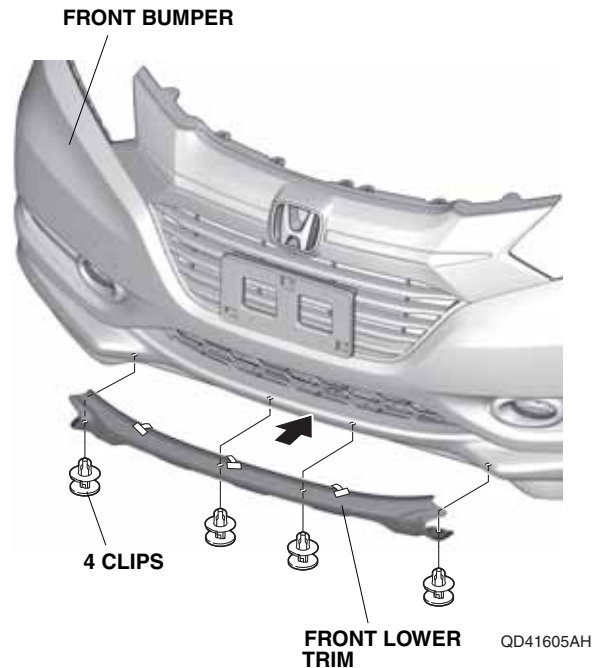
QC72808AH

- Install two spring nuts. Make sure to install the spring nut in the correct orientation.

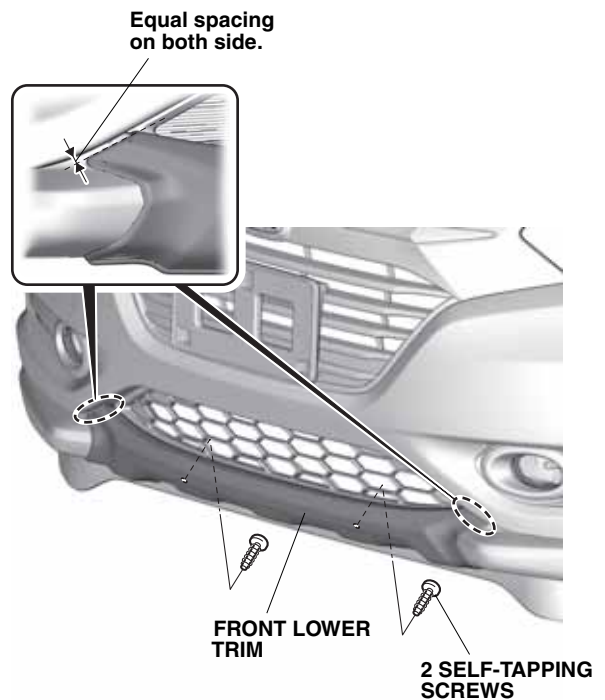


QC72811AH

- Install the front lower trim to the front bumper.

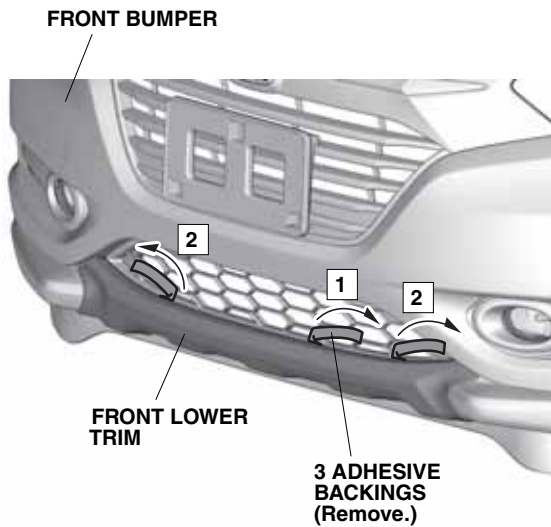


- Secure the front lower trim.



QD41606AH

11. With the help of an assistant, reinstall the front bumper. Remove the adhesive backings in the order shown. Press the front lower trim firmly against the front bumper with the palms of your hands to adhere the front lower trim.



QD41607AH

12. Check that all wire harnesses are routed properly and all connectors are plugged in.
13. Install all removed parts.
14. Connect the negative cable to the battery.
15. Press and hold the audio unit power button for two seconds to restore the audio and navi (if equipped) system functions.
16. Set the clock on vehicles without navigation.
17. If necessary restore the systems back to normal operation as described in the service information.