



INSTALLATION INSTRUCTIONS

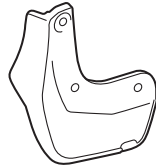
Accessory	Application	Publications No.
SPLASH GUARDS P/N 08P00-TP6-100A	2015 CROSSTOUR	VERSION 1
		Issue Date AUG 2014

PARTS LIST

Left front splash guard



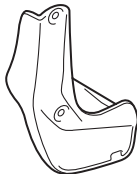
Right front splash guard



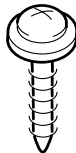
Left rear splash guard



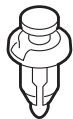
Right rear splash guard



4 Self-tapping screws



2 Clips



TOOLS AND SUPPLIES REQUIRED

Phillips screwdriver

Stubby Phillips screwdriver

High-quality paste wax

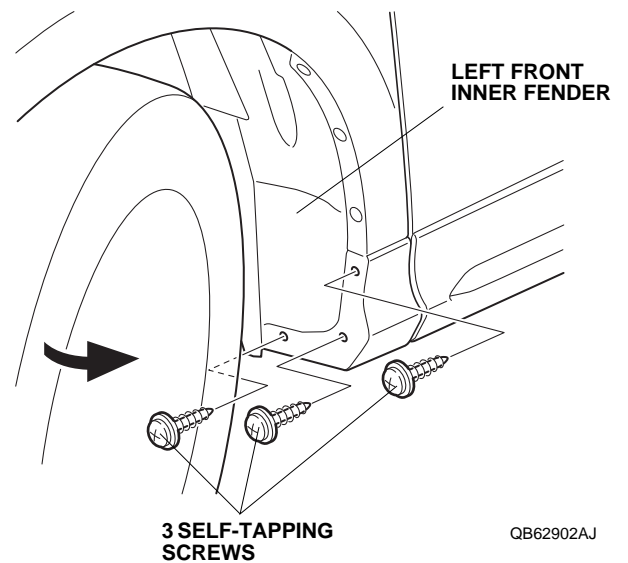
INSTALLATION

NOTE:

- Be careful not to damage the paint finish.
- These instructions show the left splash guards being installed. The same procedure applies to installing the right splash guards.
- Clean and wax the areas to be covered with a high-quality paste wax.

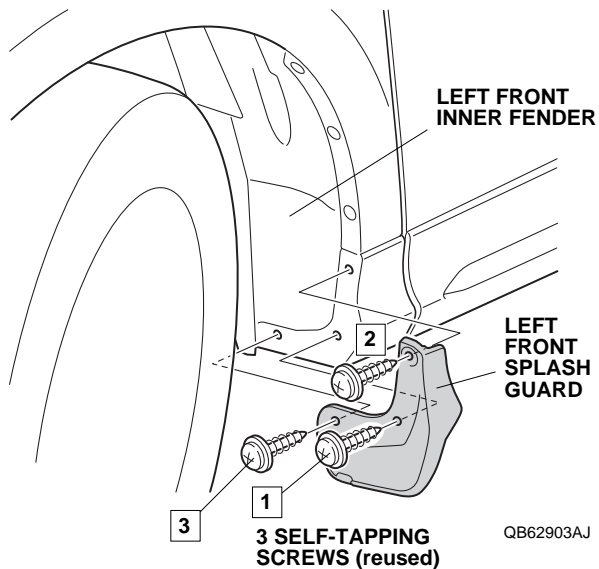
Installing the Front Splash Guards

1. Turn the steering wheel fully counterclockwise.



2. Remove three self-tapping screws from the left front inner fender.

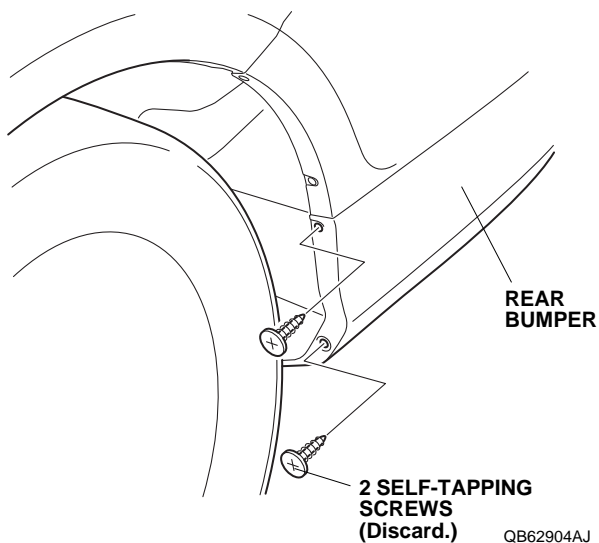
- Install the left front splash guard onto the left front inner fender with three self-tapping screws, and tighten them in the order shown.
NOTE: Make sure there is no gap between the left front splash guard and the vehicle body. If there is a gap, loosen the self-tapping screws, hold the splash guard against the body, and retighten the screws.



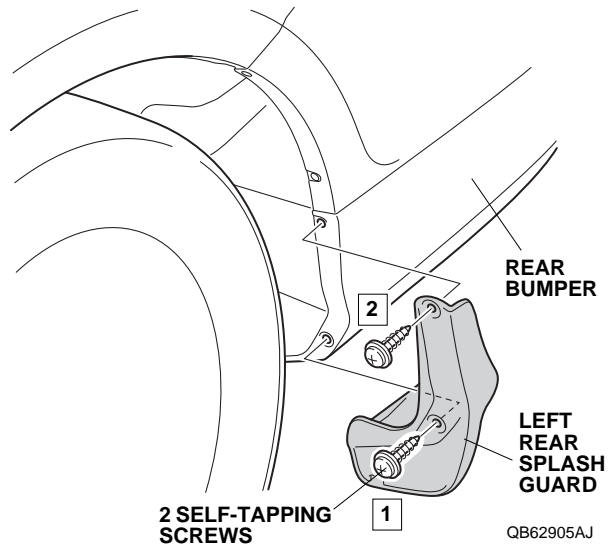
- Turn the steering wheel fully clockwise, and repeat steps 2 and 3 to install the right front splash guard on the right side of the vehicle.

Installing the Rear Splash Guards

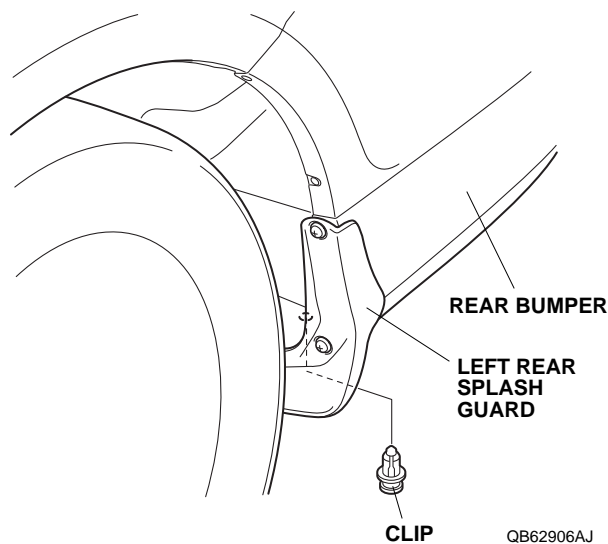
- Remove two self-tapping screws from the rear bumper.



- Install the left rear splash guard onto the rear bumper with two self-tapping screws, and tighten them in the order shown.
NOTE: Make sure there is no gap between the left rear splash guard and the bumper. If there is a gap, loosen the self-tapping screws, hold the splash guard against the bumper, and retighten the screws.



- Secure the left rear splash guard to the rear bumper with one clip.



- Repeat steps 5 through 7 to install the right rear splash guard on the right side of the vehicle.