



# INSTALLATION INSTRUCTIONS

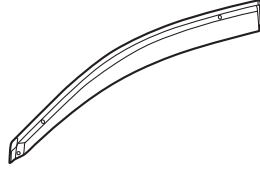
Accessory  
**DOOR VISORS**  
P/N 08R04-T2A-100

Application  
**2015 ACCORD HYBRID**

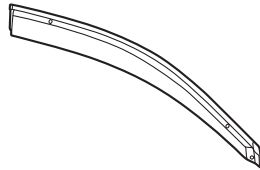
Publications No.  
**VERSION 1**  
Issue Date  
**AUG 2014**

## PARTS LIST

Left front door visor



Right front door visor



Left rear door visor



Right rear door visor



8 Brackets A



2 Brackets B



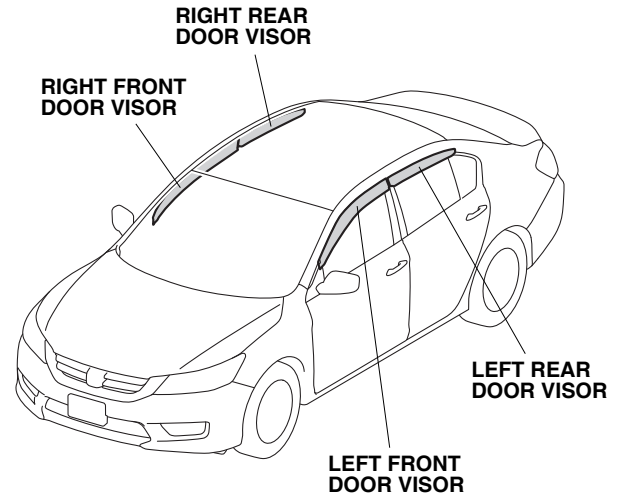
10 Clips



## TOOLS AND SUPPLIES REQUIRED

- Isopropyl alcohol
- Shop towel
- Masking tape
- Ruler

## Illustration of the Door Visors Installed on the Vehicle



QC51602AG

## INSTALLATION

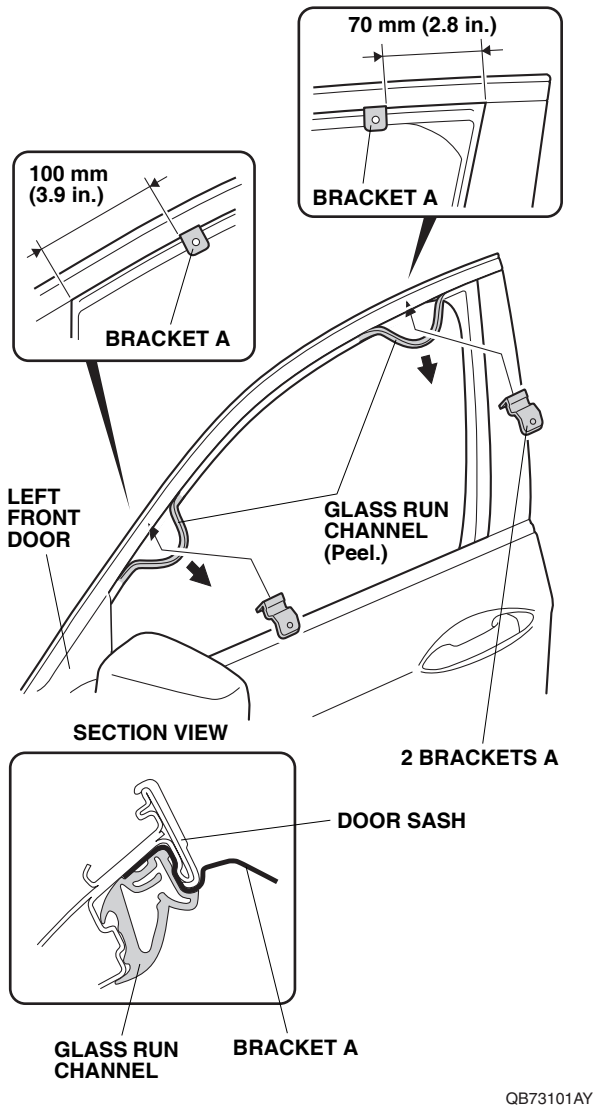
**Customer Information:** The information in this installation instruction is intended for use only by skilled technicians who have the proper tools, equipment, and training to correctly and safely add equipment to your vehicle. These procedures should not be attempted by “do-it-yourselfers.”

### NOTE:

- These instructions show the left door visors being installed. The same procedure applies to installing the right door visors.
- Be careful not to damage the body paint finish and glass run channels when installing the door visors.
- Handle the door visors with care. They are not designed to absorb shock or impact.
- This kit should be installed only if the ambient air temperature is 15°C (60°F) or above.
- To allow the adhesive to “cure”, do not wash the vehicle for 24 hours. Please advise your customer.

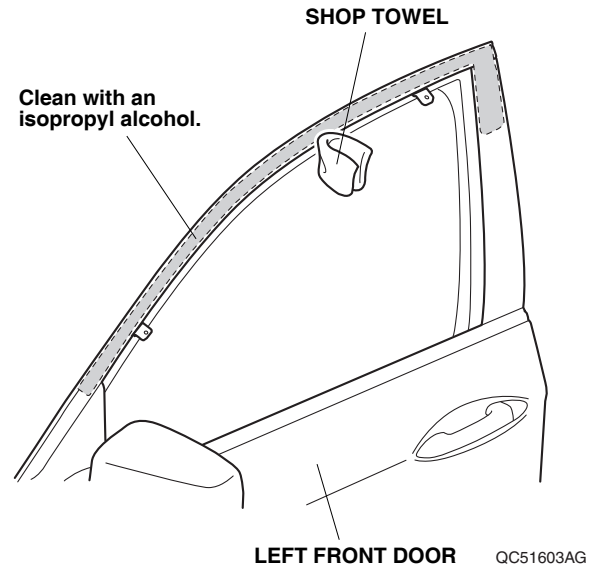
## Installing the Front Door Visor

1. Fully open the left front door glass.

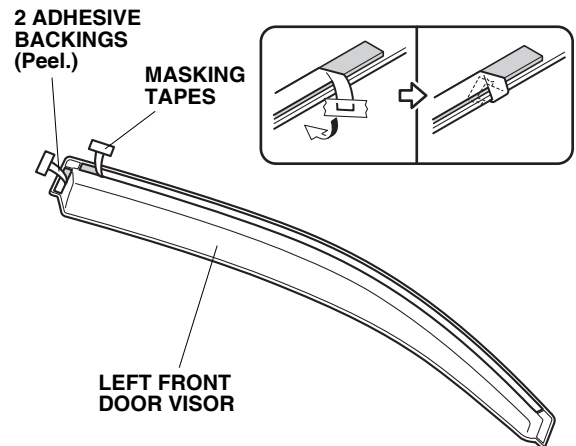


2. Peel the glass run channel.
3. Install two brackets A to the door sash as shown.
4. Reinstall the glass run channel and secure two brackets A. Check that the brackets A are installed on the door sash as shown. Check that the glass run channel is installed properly.

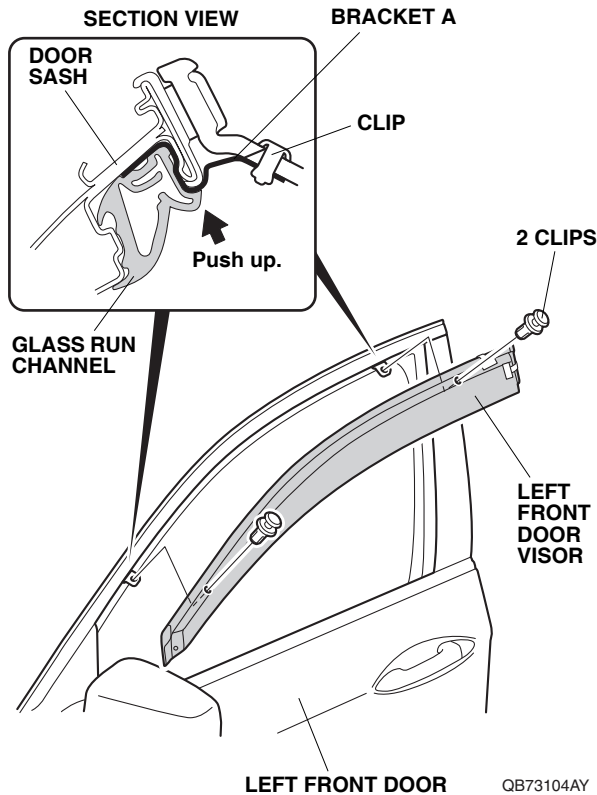
5. Using an isopropyl alcohol on a shop towel, thoroughly clean the area where the left front door visor will attach.



6. Attach a piece of masking tapes to the end of the adhesive backings as shown. Peel back the adhesive backings partway and temporarily attach them to the front surface of the left front door visor.

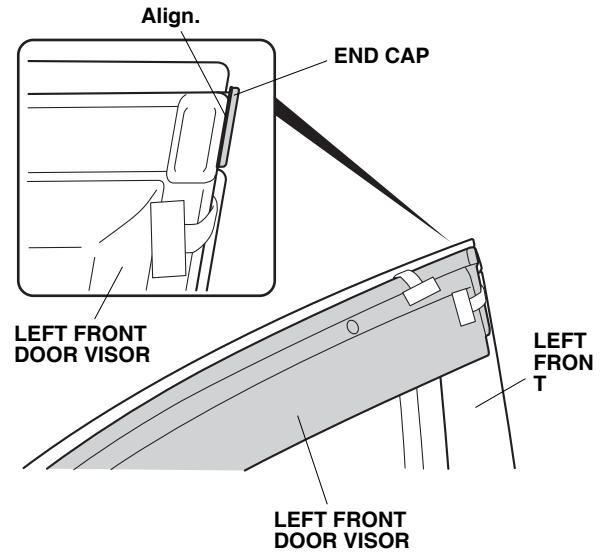


7. Adjust the holes on two brackets A to two holes on the left front door visor.

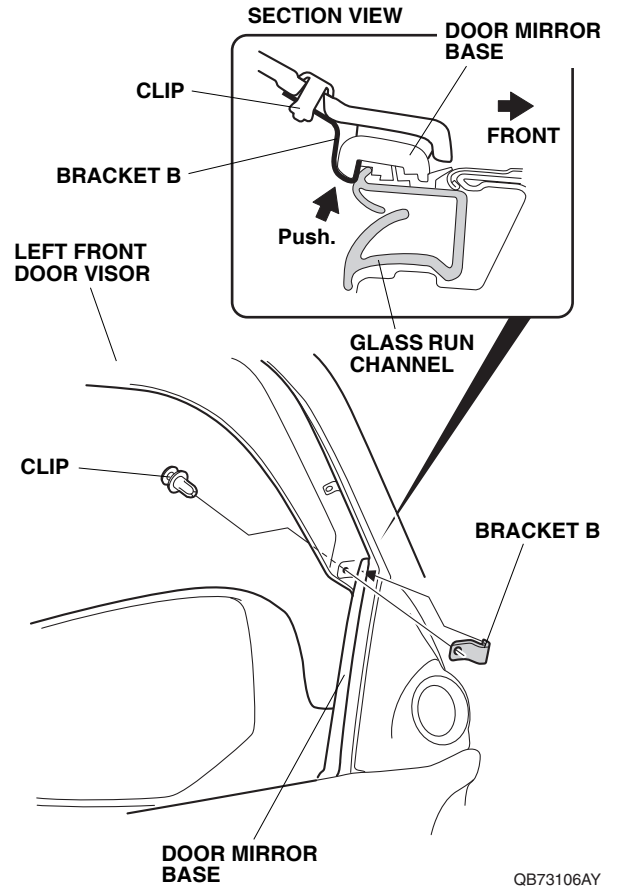


8. Secure the left front door visor to two brackets A with two clips. Make sure to push up on the brackets A while installing two clips.  
**NOTE:** Be extremely careful when installing the clip. Clip can not be removed and reinstalling after installation.

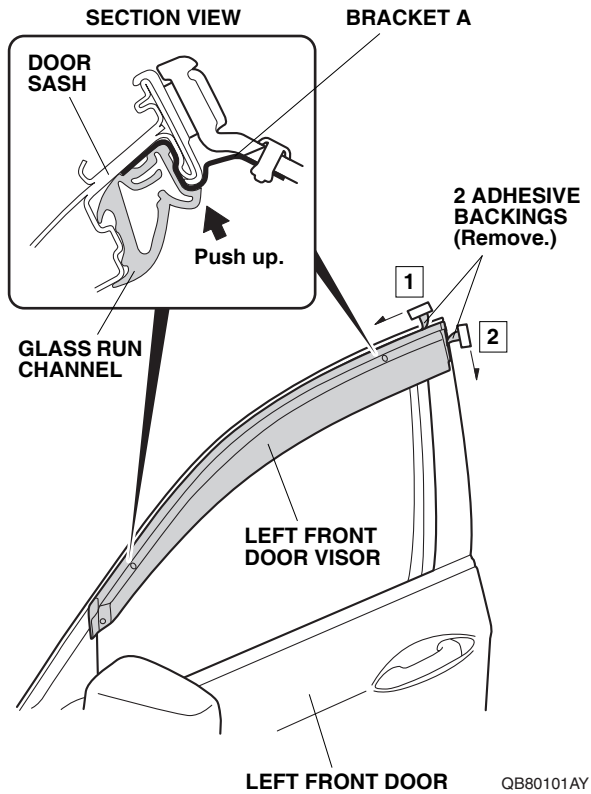
9. Adjust the position of the left front door visor as shown.



10. Insert the bracket B between the door mirror base and glass run channel as shown. Secure the left front door visor to bracket B with one clip. Make sure to push on the bracket B while installing the clip.  
**NOTE:** Be extremely careful when installing the clip. Clip can not be removed and reinstalling after installation.



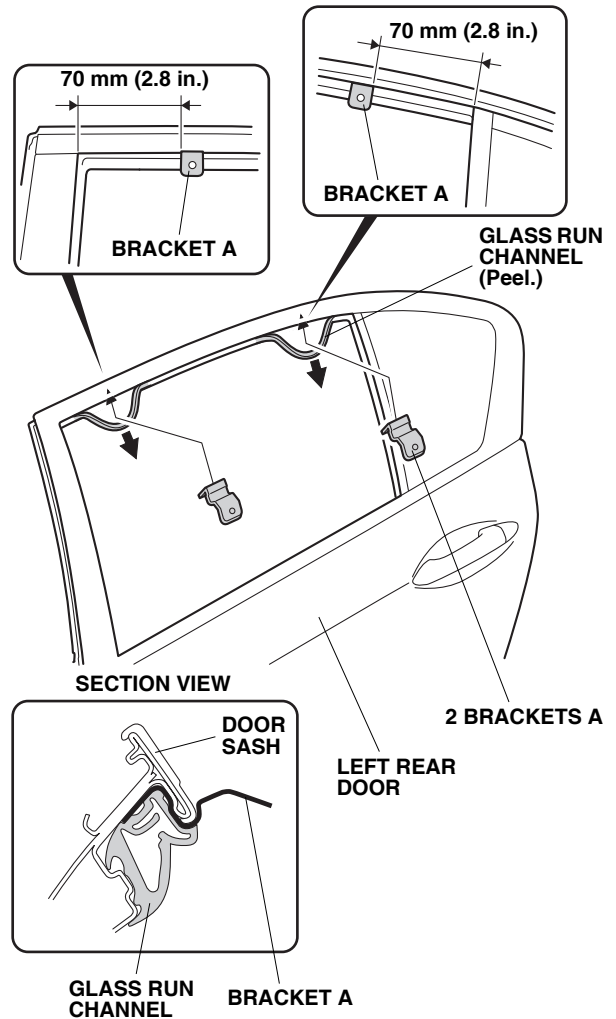
11. While applying light pressure against the left front door visor, carefully remove the taped adhesive backings in the order shown. Make sure to push up on the brackets A while removing the adhesive backings.



12. Using the palm of your hand, firmly press the left front door visor against the door sash.

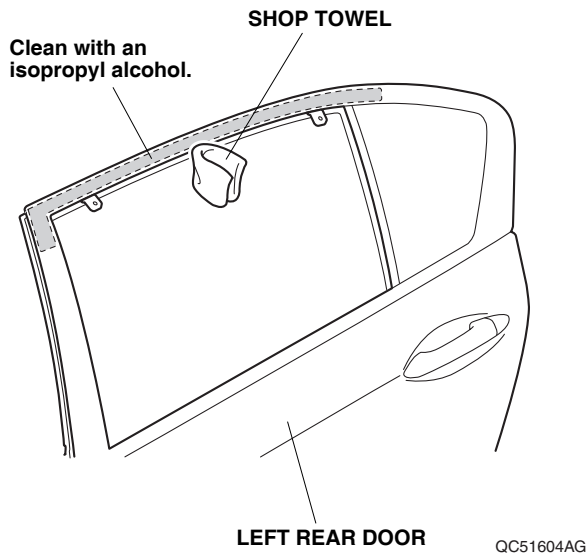
## Installing the Rear Door Visor

13. Fully open the left rear door glass.

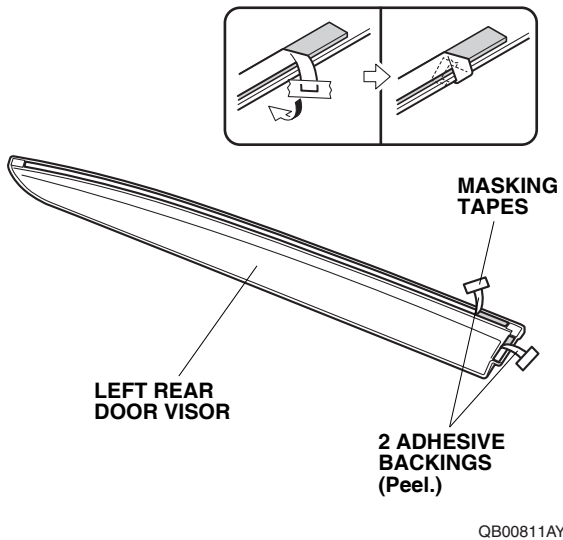


14. Peel the glass run channel.
15. Install two brackets A to the door sash as shown.
16. Reinstall the glass run channel and secure two brackets A. Check that the brackets A are installed on the door sash as shown. Check that the glass run channel is installed properly.

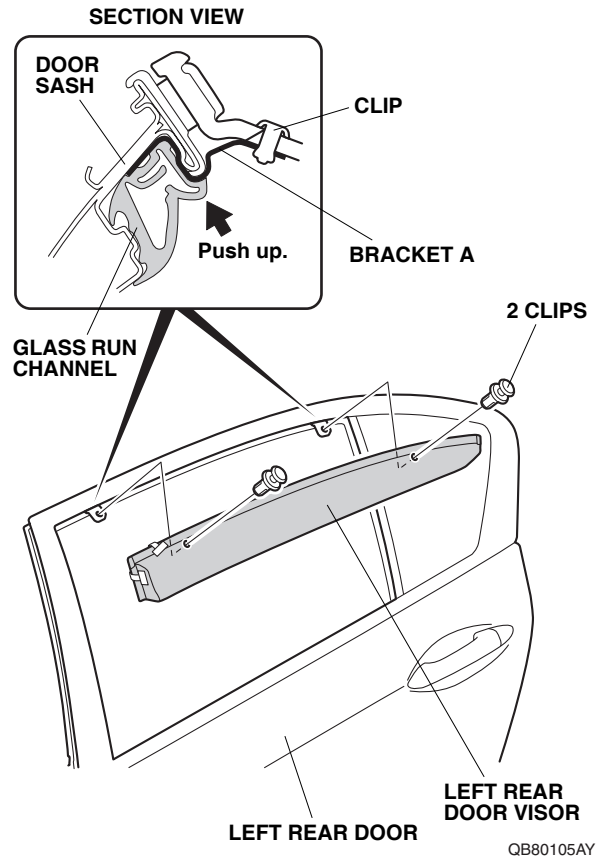
17. Using an isopropyl alcohol on a shop towel, thoroughly clean the area where the left rear door visor will attach.



18. Attach a piece of masking tapes to the end of the adhesive backings as shown. Peel back the adhesive backings partway and temporarily attach them to the front surface of the left rear door visor.

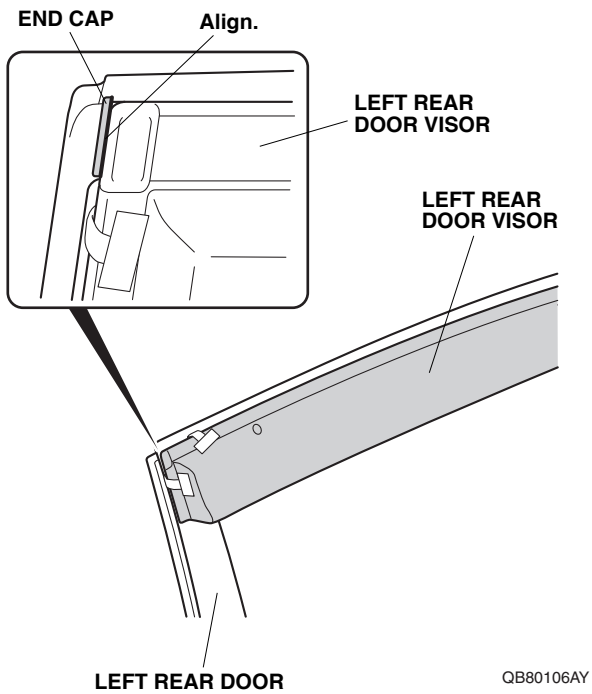


19. Adjust the holes on two brackets A to two holes on the left rear door visor.

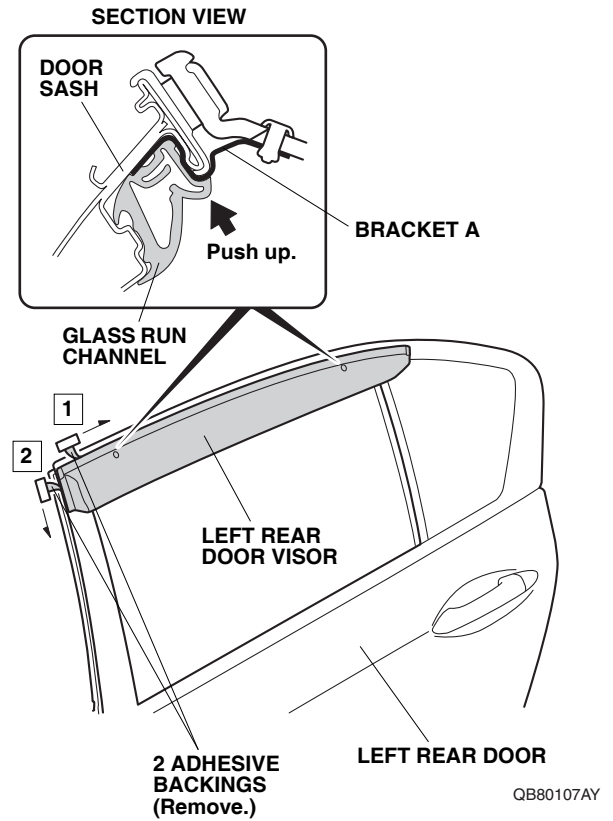


20. Secure the left rear door visor to two brackets A with two clips. Make sure to push up on the brackets A while installing two clips.  
NOTE: Be extremely careful when installing the clip. Clip can not be removed and reinstalling after installation.

21. Adjust the position of the left rear door visor as shown.



22. While applying light pressure against the left rear door visor, carefully remove the taped adhesive backings in the order shown. Make sure to push up on the brackets A while removing the adhesive backings.



23. Using the palm of your hand, firmly press the left rear door visor against the door sash.
24. Repeat steps 1 through 23 on the right side of the vehicle.

## **CONFIRMATION AFTER INSTALLATION**

### **RESTORATION OPERATIONS**

1. Start the engine.
  2. Using the power window switch, fully open the window, and check that there is no fault such as pinched run channel, etc.
  3. Using the power window switch, repeat opening and closing of the window from half-open to fully closed four or five times to allow the run channel to wear in. (Practice this operation while checking absence of a failure such as pinched run channel, etc.)
  4. Referring to the service manual of the vehicle, reset the power window. (If the automatic closing/opening does not function after the reset, reset again.)
  5. Referring to the service manual of the vehicle, carry out “learning” of the power window. (If the automatic closing/opening does not function after the learning, carry out “learning” again.)
- The operations in the steps 4 and 5 should be applied to all power windows having the automatic closing/opening function to allow for proper functioning of the anti-pinching function after installing the door visor.

### **USE AND CARE**

- When the door visor is dirty, clean it with a soft cloth dampened with water.
- When the door visor is very dirty, clean the door visor with the neutral detergent and water. Do not use volatile solvent (e.g. thinner, benzine, alcohol, etc.) or a cleaner containing abrasive material.