



# INSTALLATION INSTRUCTIONS

Accessory  
**DOOR EDGE FILM**  
P/N 08P20-T3L-100A

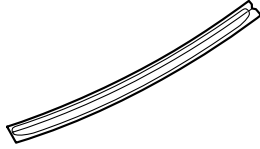
Application  
**2014 ACCORD**  
**2-DOOR**

Publications No.  
**All 49946**

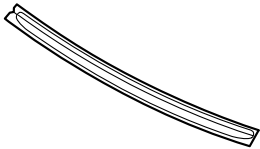
Issue Date  
**AUG 2013**

## PARTS LIST

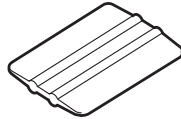
Left door edge film



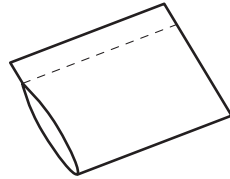
Right door edge film



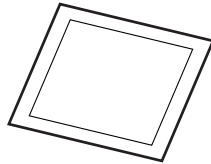
Applicator



Soft sleeve



2 Alcohol swabs



## TOOLS AND SUPPLIES REQUIRED

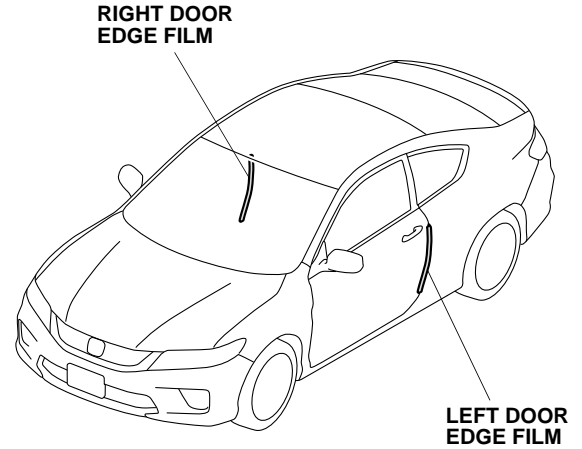
Shop towel

Spray bottle

3M Protective tape application solution

Ruler

## Illustration of the Door Edge Film on the Vehicle



QB40401AG

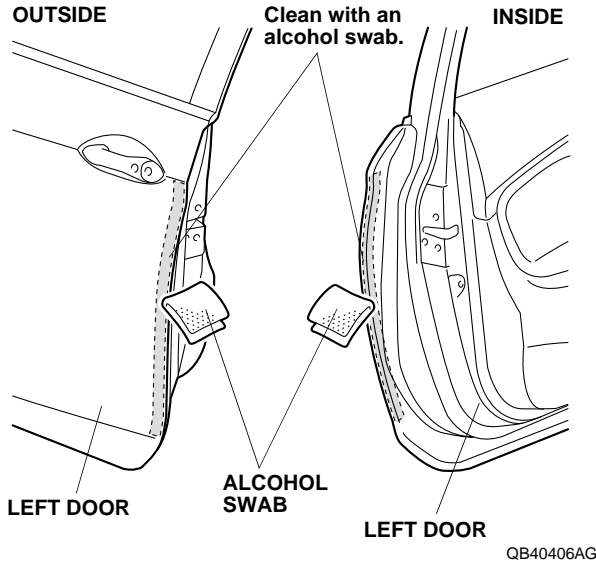
## INSTALLATION

**Customer Information:** The information in this installation instruction is intended for use only by skilled technicians who have the proper tools, equipment, and training to correctly and safely add equipment to your vehicle. These procedures should not be attempted by "do-it-yourselfers."

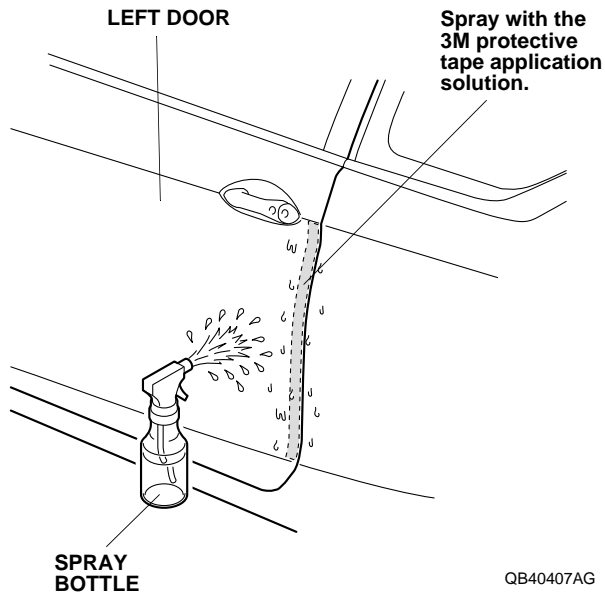
### NOTE:

- Do not damage the paint finish.
- This kit should be installed only if the ambient air temperature is 15°C (60°F) or above.
- To allow the adhesive to cure, do not wash the vehicle for 24 hours. Please advise the customer.
- Identify each door edge film by referring to the identification mark.
- Install the door edge film before installing the accessory body side moldings.
- These instructions show the left door edge film being installed. The same procedure applies to installing the right door edge film.

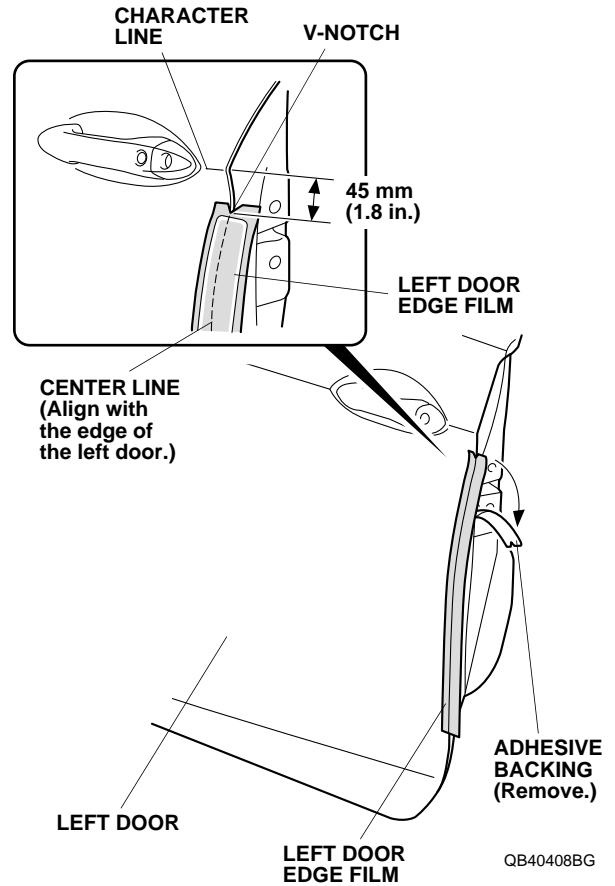
1. Open the left door. Using an alcohol swab, thoroughly clean the area where the left door edge film will attach.



2. Close the left door.
3. Using a spray bottle with the 3M protective tape application solution, spray the outside of the left door where the left door edge film will attach. **NOTE: Do not spray the inner surface.**

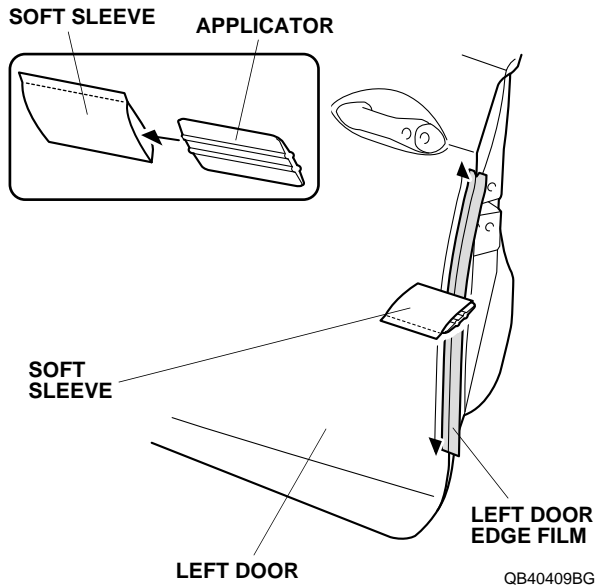


4. Open the left door. Peel back about 50 mm (2.0 in.) of adhesive backing from the left door edge film. Align the V-notch on the left door edge film 45 mm (1.8 in.) below the character line.

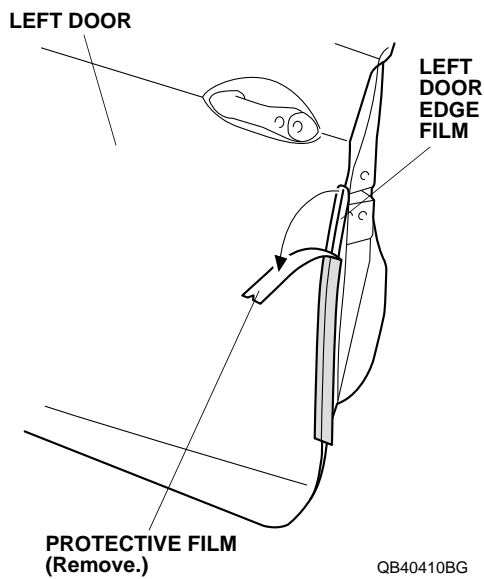


5. Align the center line on the left door edge film with the edge of the left door. While applying light pressure, carefully remove the adhesive backing.

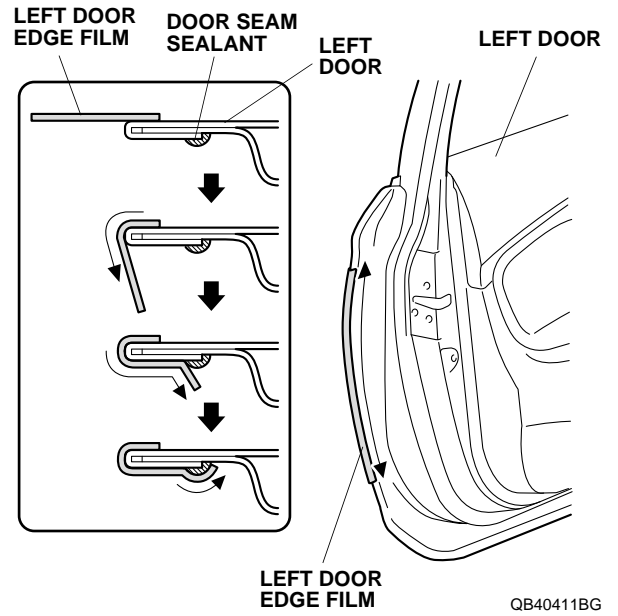
- Insert the applicator into the soft sleeve. Starting from the center and working outward, use the soft sleeve to smooth out the left door edge film. Move the soft sleeve in one direction only.



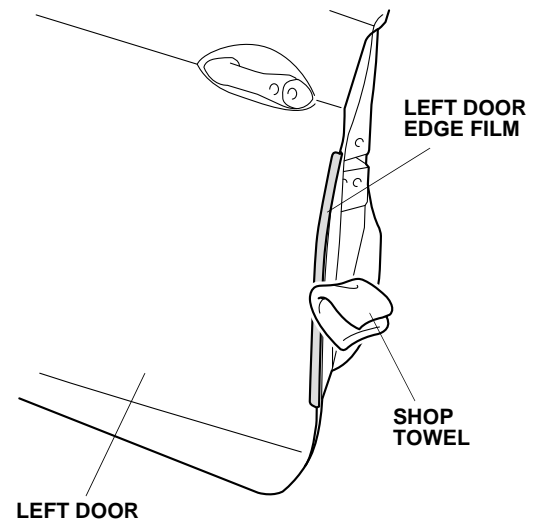
- Slowly remove the protective film from the left door edge film.



- Starting from the center and working outward, use your finger to fold the left door edge film inside the left door. Move your finger in one direction only. Do not damage the door seam sealant.



- Using a shop towel, wipe the excess 3M protective tape application solution from the left door edge film. Allow the left door edge film to dry thoroughly.



- Repeat steps 1 through 9 to install the right door edge film on the right side of the vehicle.