



# INSTALLATION INSTRUCTIONS

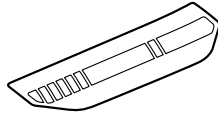
Accessory  
**DOOR SILL TRIM**  
P/N 08F05-TK8-100

Application  
**2012 ODYSSEY**

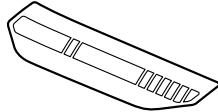
Publications No.  
**All 46734**  
Issue Date  
**SEP 2011**

## PARTS LIST

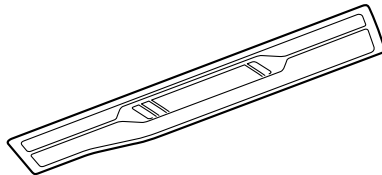
Left front door sill trim



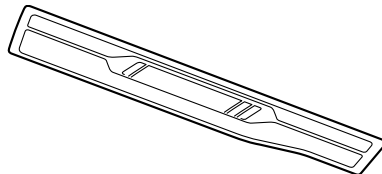
Right front door sill trim



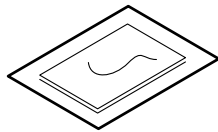
Left rear door sill trim



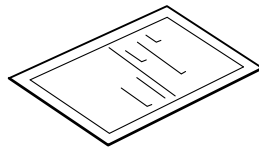
Right rear door sill trim



4 Alcohol swabs



4 Primers



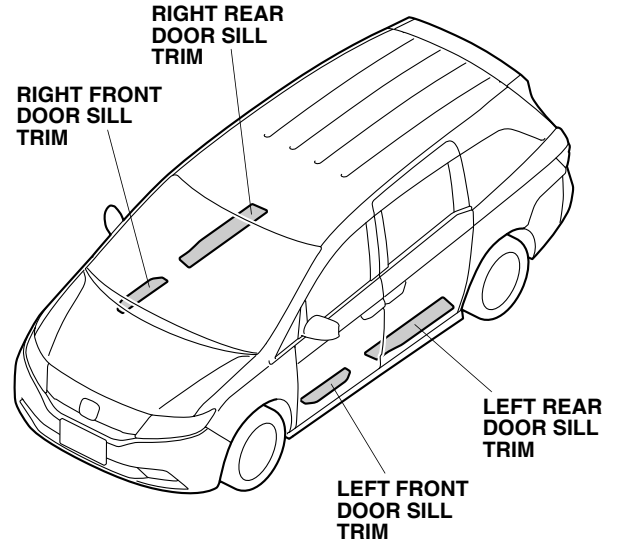
## TOOLS AND SUPPLIES REQUIRED

Dryer

Masking tape

Rubber Roller (T/N MHLE540)

## Illustration of the Door Sill Trim Installed on the Vehicle



## INSTALLATION

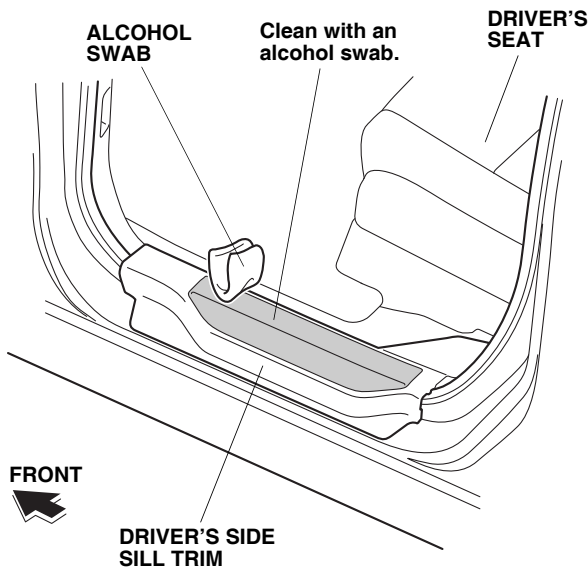
**Customer Information:** The information in this installation instruction is intended for use only by skilled technicians who have the proper tools, equipment, and training to correctly and safely add equipment to your vehicle. These procedures should not be attempted by “do-it-yourselfers.”

### NOTE:

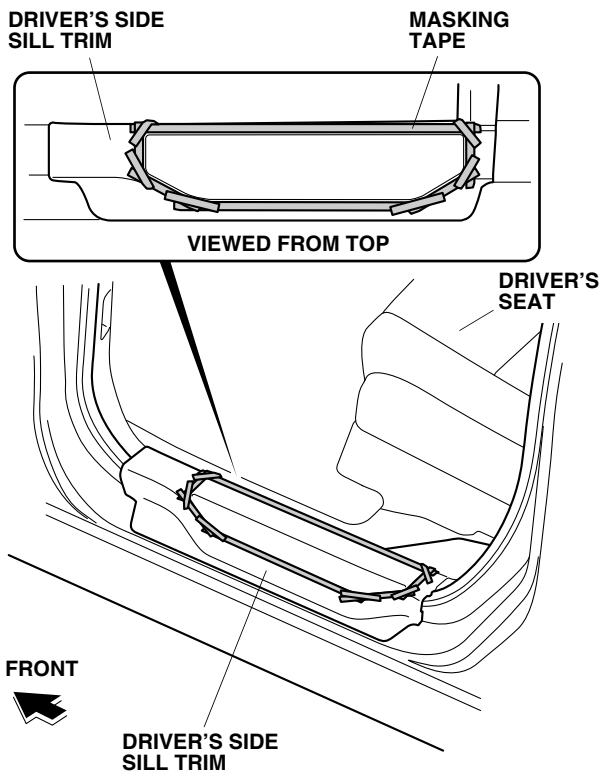
- Do not damage the vehicle paint finish.
- This kit should be installed only if the ambient air temperature is 15°C (60°F) or above. Heat the door sill trim and bonding surface with a dryer set on LOW if the ambient air temperature is below 15°C (60°F).
- To allow the adhesive to cure, do not wash the vehicle for 24 hours. Please advise the customer.

## Installing the Front Door Sill Trim

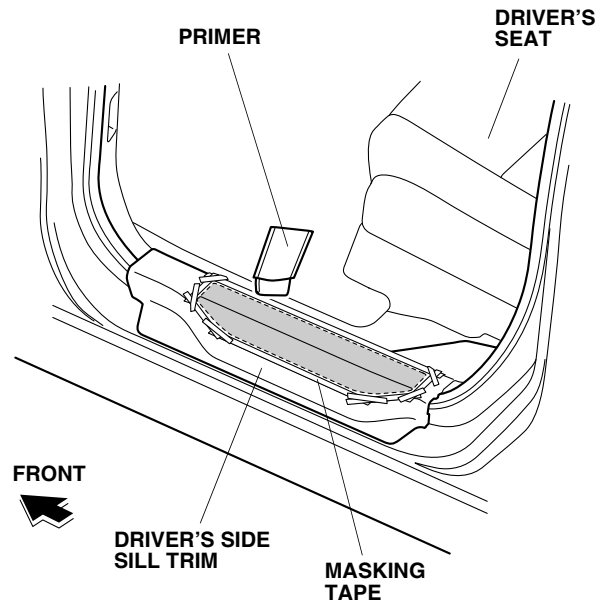
1. Open the driver's door.
2. Using an alcohol swab, thoroughly clean the area where the left front door sill trim will attach.



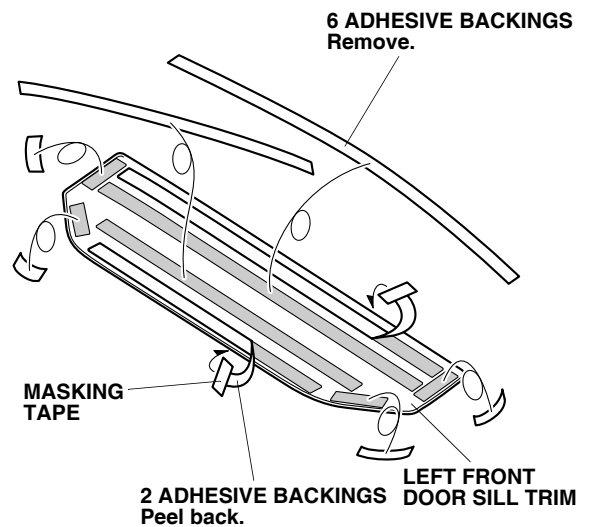
3. Attach pieces of masking tape to the driver's side sill trim as shown.



4. Apply primer to the driver's side sill trim inside the masked-off area.

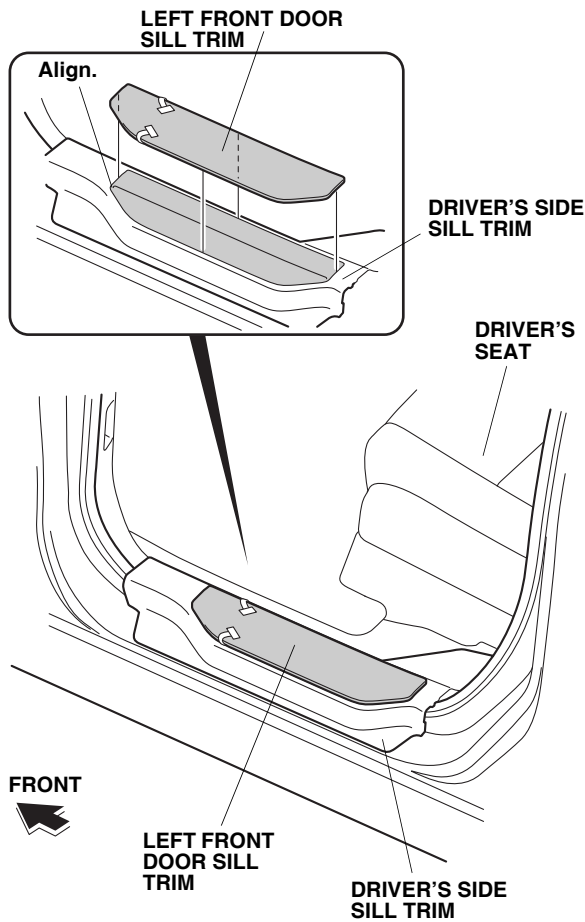


5. Allow the primer to dry for at least three minutes. NOTE: Make sure you allow the primer to dry thoroughly before continuing with the next step. Re-apply the primer if 24 hours have passed since the primer was applied.
6. Remove the masking tape from the driver's side sill trim.
7. Attach pieces of masking tape to the ends of two adhesive backings as shown. Peel back the adhesive backings partway and attach them to the outer surface of the left front door sill trim.

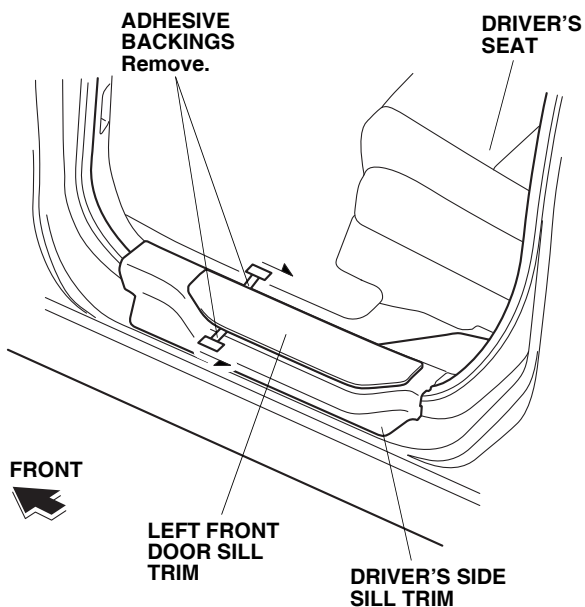


8. Remove the remaining adhesive backings.

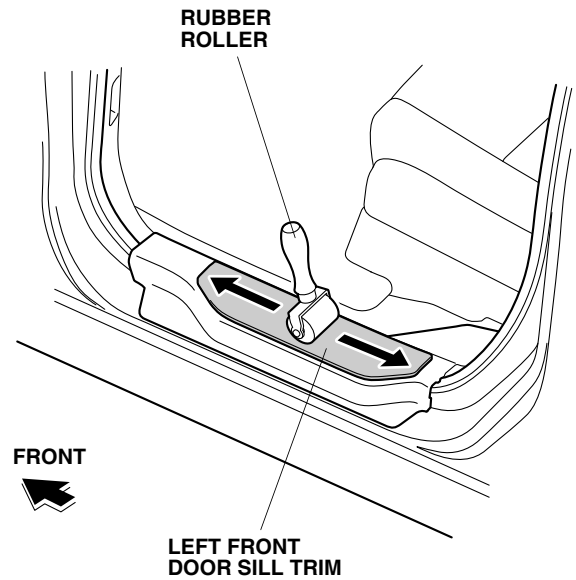
- Align, then attach the left front door sill trim to the driver's side sill trim as shown.



- While applying light pressure against the left front door sill trim, carefully remove the two adhesive backings.

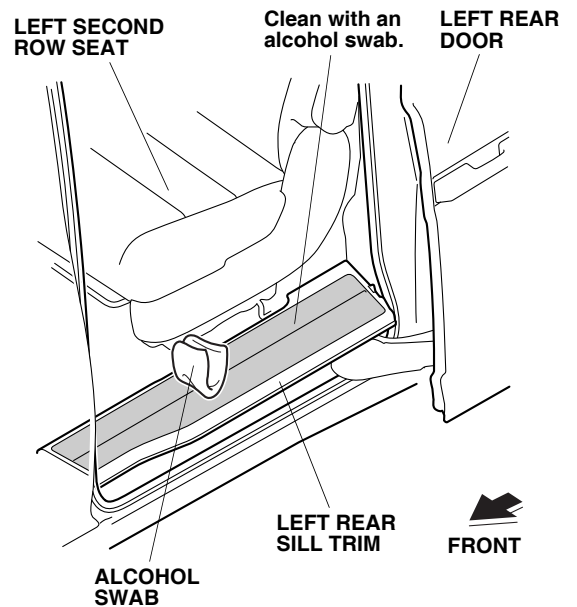


- Using a rubber roller, apply pressure against the left front door sill trim and roll from one end to the other.

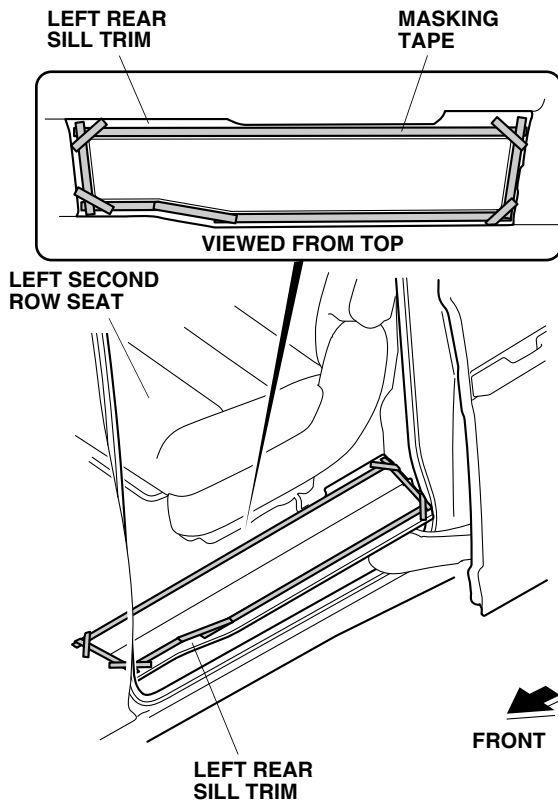


### Installing the Rear Door Sill Trim

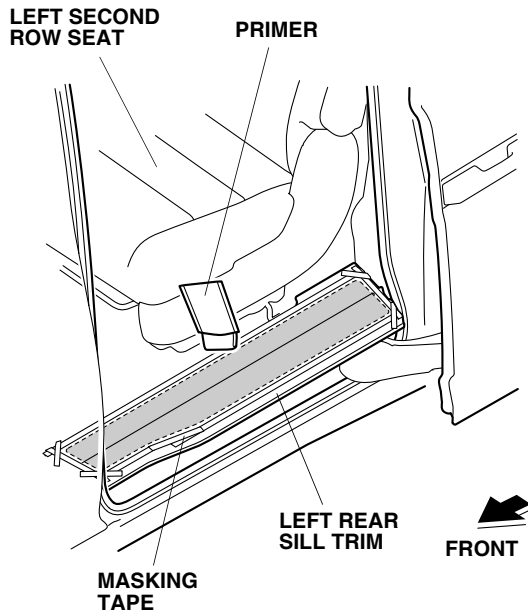
- Open the left rear door.
- Using an alcohol swab, thoroughly clean the area where the left rear door sill trim will attach.



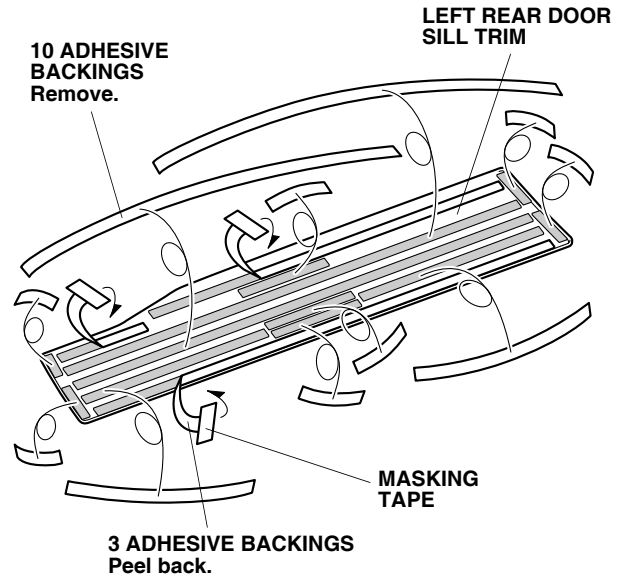
- Attach masking tape to the left rear sill trim as shown.



- Apply primer to the left rear sill trim in the masked-off area.

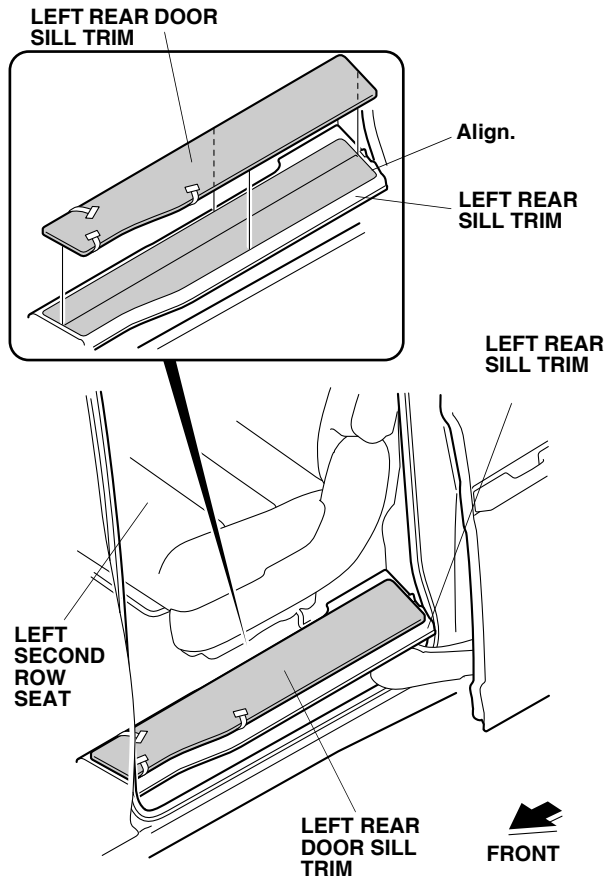


- Allow the primer to dry for at least three minutes. **NOTE:** Make sure you allow the primer to dry thoroughly before continuing with the next step. Re-apply the primer if twenty four hours have passed since the primer was applied.
- Remove the masking tape from the left rear sill trim.
- Attach pieces of masking tape to the ends of three adhesive backings as shown. Peel back the adhesive backings partway and attach them to the outer surface of the left rear door sill trim.

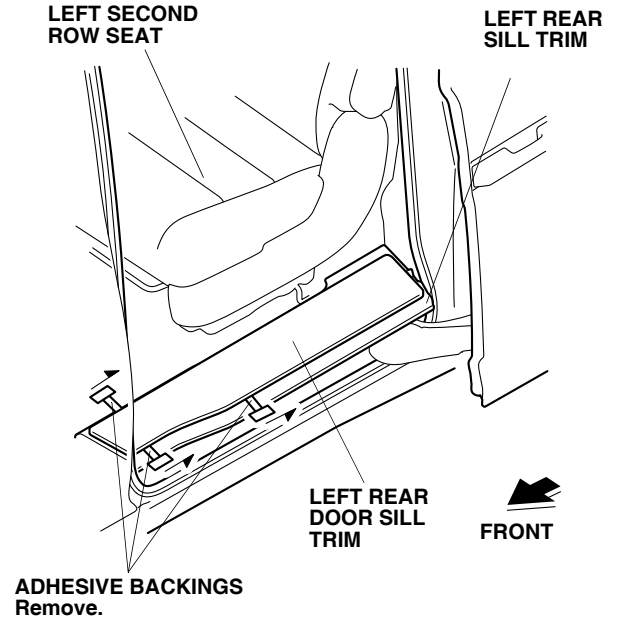


- Remove the remaining adhesive backings.

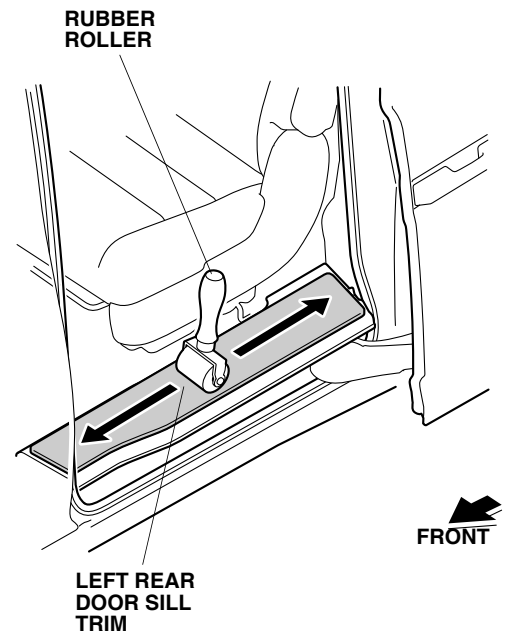
20. Align the left rear door sill trim, and attach it to the left rear sill trim as shown.



21. While applying light pressure against the left rear door sill trim, carefully remove the three adhesive backings.



22. Using a rubber roller, apply pressure against the left rear door sill trim and roll from one end to the other.



23. Repeat steps 1 through 22 on the right side of the vehicle.