



# INSTALLATION INSTRUCTIONS

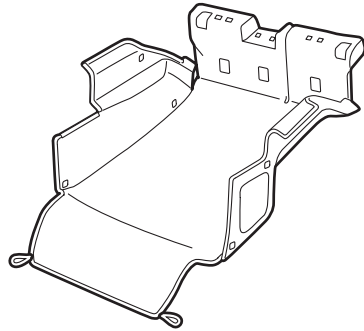
Accessory  
**CARGO LINER**  
P/N 08P42-SZA-101

Application  
**2010 PILOT**

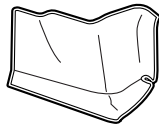
Publications No.  
**All 41632**  
Issue Date  
**MAY 2009**

## PARTS LIST

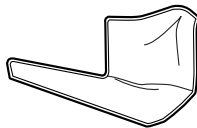
Cargo liner



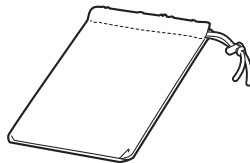
Power tailgate patch



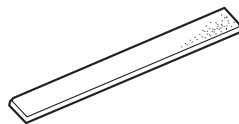
Non power tailgate patch



Bag



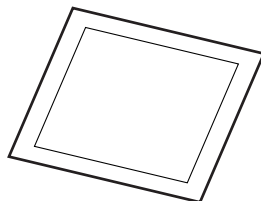
4 Long fastener pads



16 Short fastener pads



8 Alcohol swabs



## TOOLS AND SUPPLIES REQUIRED

Small flat-tip screwdriver

Rubber roller

## INSTALLATION

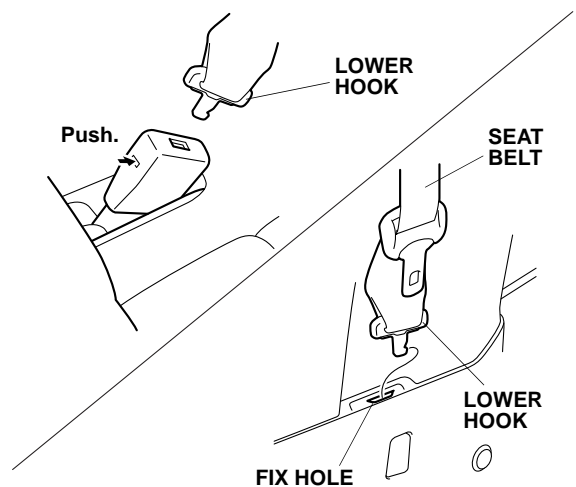
**Customer Information:** The information in this installation instruction is intended for use only by skilled technicians who have the proper tools, equipment, and training to correctly and safely add equipment to your vehicle. These procedures should not be attempted by "do-it-yourselfers."

### NOTE:

- This cargo liner cannot be installed with the interior bicycle attachment or seat cover or advance cargo net.
- This cargo liner should be installed only if the ambient air temperature is 15°C (60°F) or above. Warm up the surface of the vehicle body where the accessory will be attached to 15°C ~ 40°C when the temperature is low, especially in winter. Bonding performance of the double-sided adhesive tape could be reduced at low temperature.

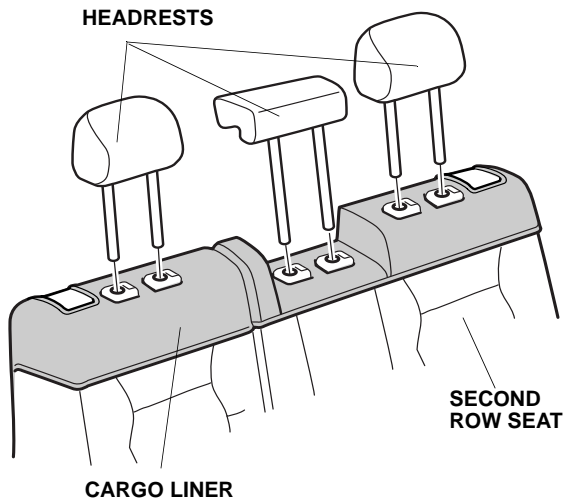
### Installing the Cargo Liner

1. Using a small flat-tip screwdriver, push and release the seat belt lower hook from each third row seat. Insert the seat belt lower hook to the fix hole.

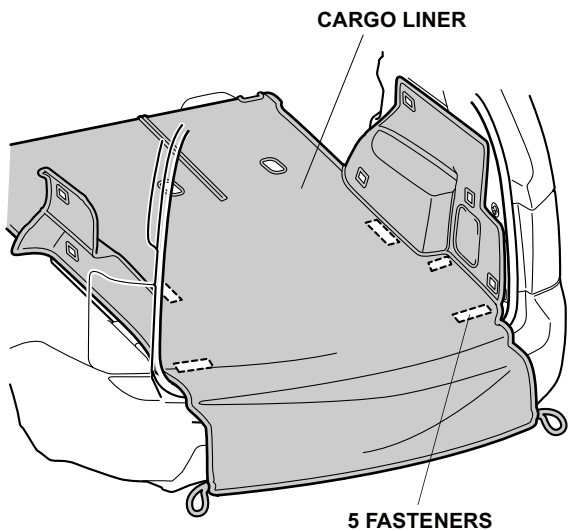


2. Fold down the third row seats.

- Remove the headrests from the second row seats by pushing the release buttons and lifting the headrests.

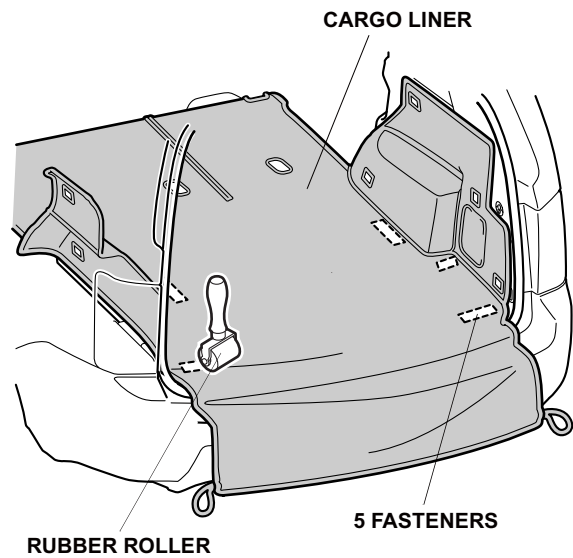


- Install the cargo liner over the second row seat, then reinstall the headrests.
- Fold down the second row seats.

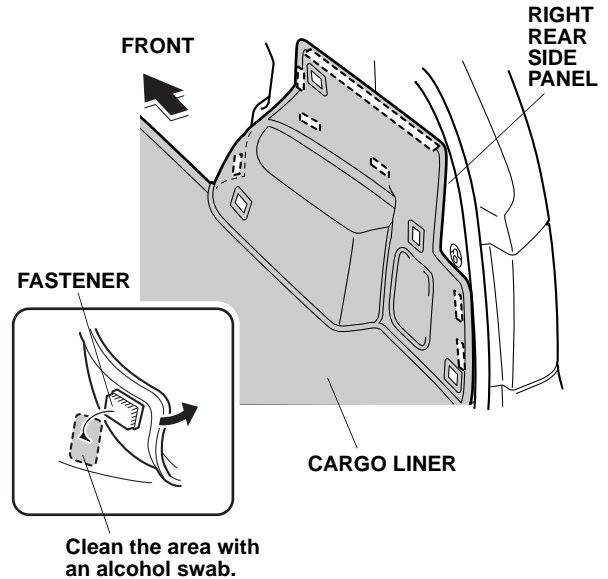


- Attach five fasteners on the cargo liner to the cargo floor as shown.

- Press the five fasteners firmly against the cargo floor with the rubber roller.

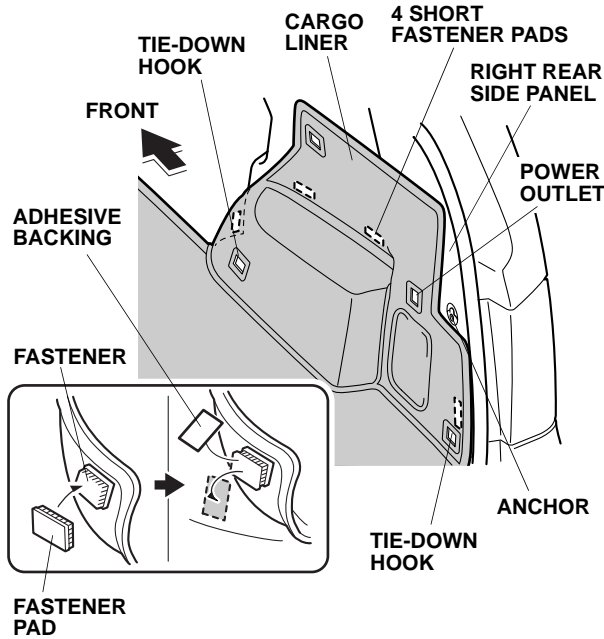


- Align the cargo liner to the right rear side panel, fold the cargo liner over and using the two alcohol swabs, thoroughly clean the area where the fasteners will attach. After cleaning with the alcohol swabs, leave it at least 3 minutes before continuing with the next procedure.



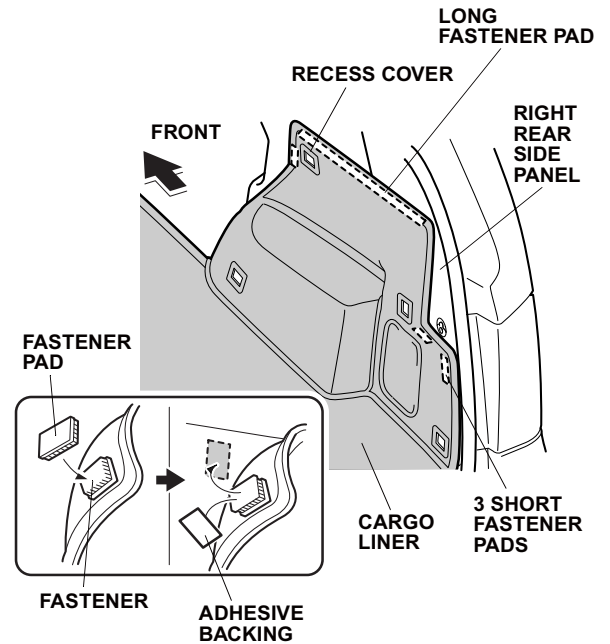
Clean the area with an alcohol swab.

- Align the holes on the cargo liner to the two tie-down hooks, anchor, and power outlet on the right rear side panel.



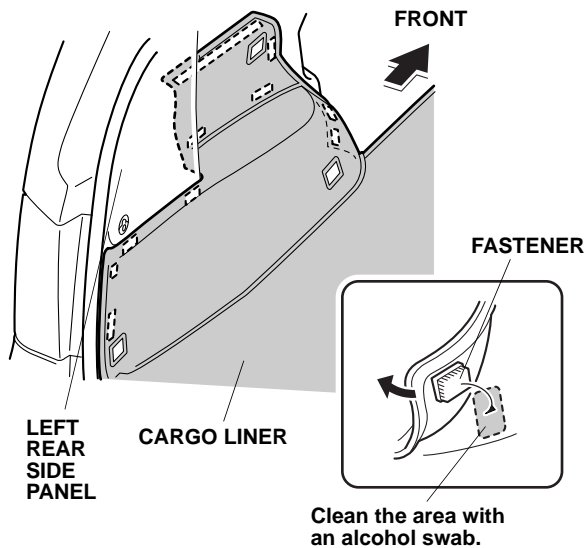
- Locate the four short fasteners on the cargo liner and attach four short fastener pads to the cargo liner as shown.
- Remove the adhesive backing from four short fastener pads, fold the cargo liner over, and attach the four short fastener pads to the right rear side panel. Press the four short fastener pads firmly against the side panel with the rubber roller.

- Align the holes on the cargo liner to the recess cover on the right rear side panel.

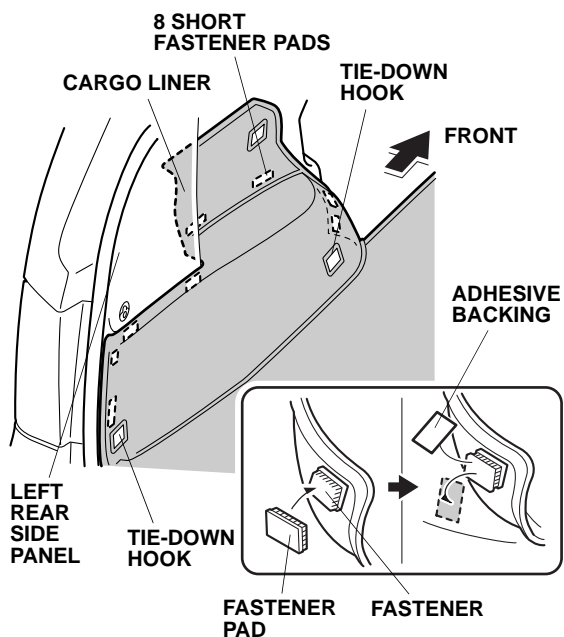


- Locate the one long fastener and three short fasteners on the cargo liner and attach one long fastener pad and three short fastener pads to the cargo liner as shown.
- Remove the adhesive backing from one long fastener pad and three short fastener pads, fold the cargo liner over, and attach the one long fastener pad and three short fastener pads to the right rear side panel. Press the one long fastener pad and two short fastener pads firmly against the side panel with the rubber roller.

- Align the cargo liner to the left rear side panel, fold the cargo liner over and using the three alcohol swabs, thoroughly clean the area where the fasteners will attach. After cleaning with the alcohol swabs, leave it at least 3 minutes before continuing with the next procedure.

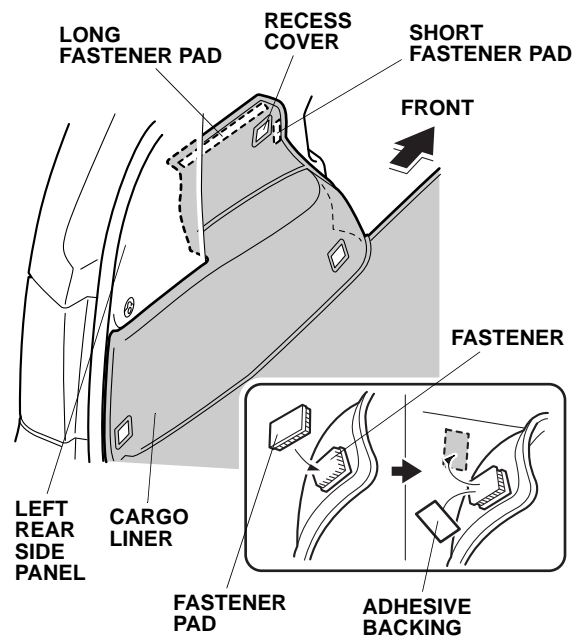


- Align the holes on the cargo liner to the two tie-down hooks on the left rear side panel.



- Locate the eight short fasteners on the cargo liner and attach eight short fastener pads to the cargo liner as shown.
- Remove the adhesive backing from eight short fastener pads, fold the cargo liner over, and attach the eight short fastener pads to the left rear side panel. Press the eight short fastener pads firmly against the side panel with the rubber roller.

- Align the holes on the cargo liner to the recess cover on the left rear side panel.

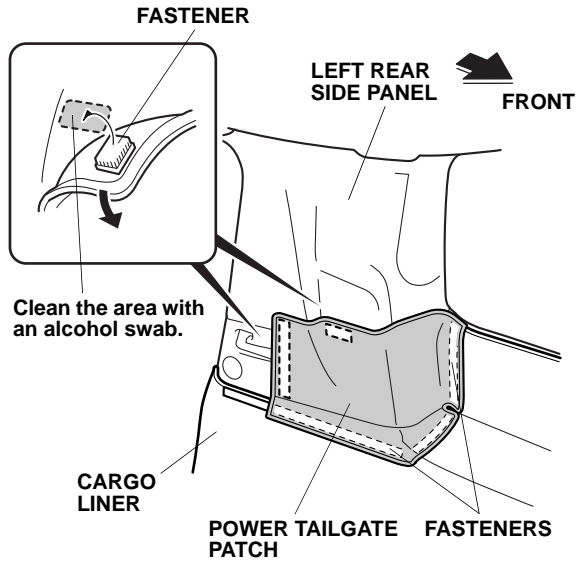


- Locate the one long fastener and one short fasteners on the cargo liner and attach one long fastener pad and one short fastener pad to the cargo liner as shown.
- Remove the adhesive backing from one long fastener pad and one short fastener pad, fold the cargo liner over, and attach the one long fastener pad and one short fastener pad to the left rear side panel. Press the one long fastener pad and one short fastener pad firmly against the side panel with the rubber roller.

Power tailgate: Perform step 22 through 25  
Non power tailgate: Perform step 26 through 29

### Power tailgate

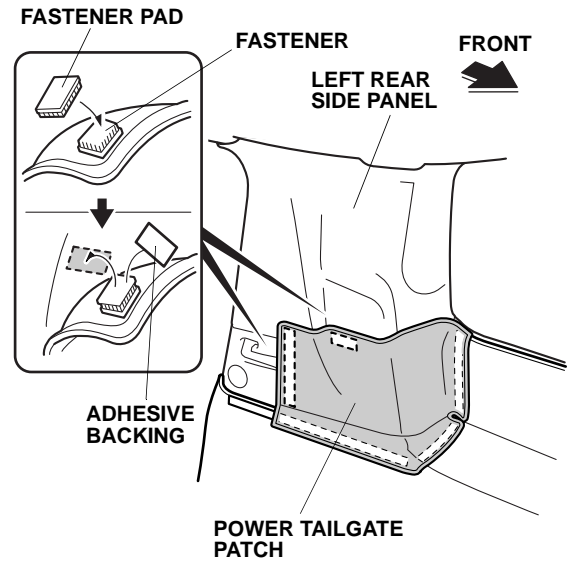
22. Secure the power tailgate patch to the cargo liner with two fasteners.



Clean the area with an alcohol swab.

23. Align the power tailgate patch to the left rear side panel, fold the power tailgate patch over and using the alcohol swab, thoroughly clean the area where the fasteners will attach. After cleaning with the alcohol swabs, leave it at least 3 minutes before continuing with the next procedure.

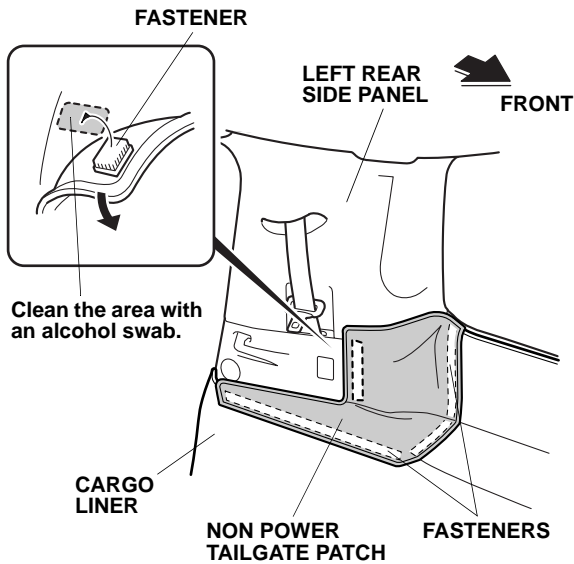
24. Locate the two fasteners on the power tailgate patch and attach two fastener pads to the power tailgate patch as shown.



25. Remove the adhesive backing from two fastener pads, fold the power tailgate patch over, and attach the two fastener pads to the left rear side panel. Press the two fastener pads firmly against the side panel with the rubber roller. Go to step 30.

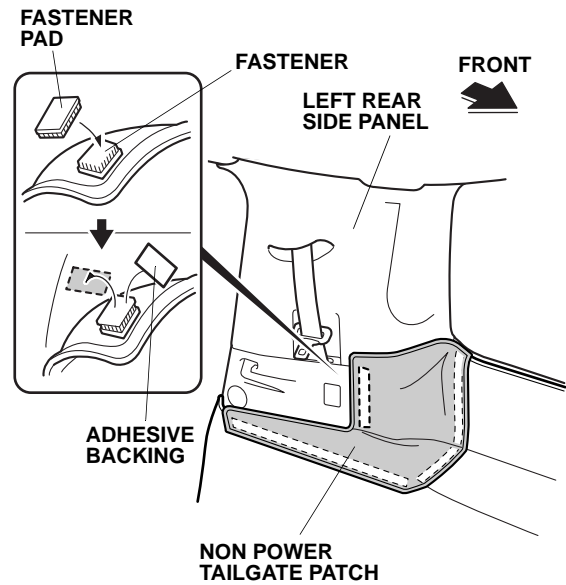
Non power tailgate

26. Secure the non power tailgate patch to the cargo liner with two fasteners.



27. Align the non power tailgate patch to the left rear side panel, fold the non power tailgate patch over and using the alcohol swab, thoroughly clean the area where the fasteners will attach. After cleaning with the alcohol swabs, leave it at least 3 minutes before continuing with the next procedure.

28. Locate the one fastener on the non power tailgate patch and attach one fastener pad to the non power tailgate patch as shown.



29. Remove the adhesive backing from one fastener pad, fold the non power tailgate patch over, and attach the one fastener pad to the left rear side panel. Press the one fastener pad firmly against the side panel with the rubber roller.
30. Hook two loops on the cargo liner to two anchors.

