



# INSTALLATION INSTRUCTIONS

Accessory  
Accessory Hands Free Link

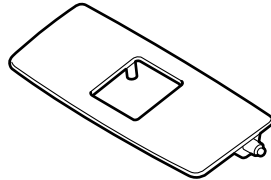
Application  
2009 ACCORD  
2 AND 4-DOOR

Publications No.  
All 40055  
Issue Date  
JULY 2008

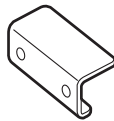
## PARTS LIST

HFL Attachment Kit  
P/N 08E02-TA0-100

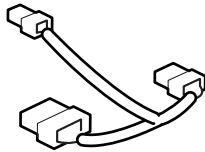
HFL trim



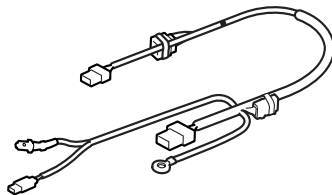
HFL bracket



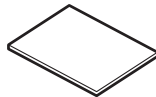
HFL harness



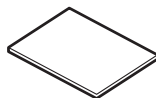
HFL sub harness



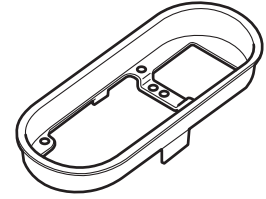
2 Double-sided tapes A



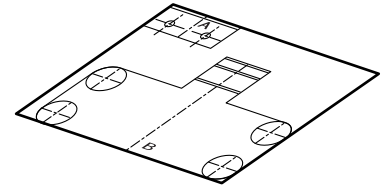
Double-faced tape B  
(Some may not used)



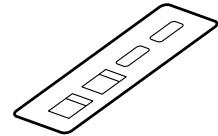
HFL retainer



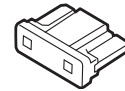
Template



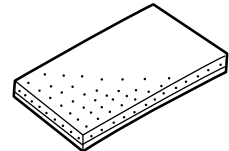
Fuse label



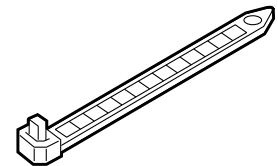
Fuse (2 A)



7 EPT sealers  
(1 Not used)



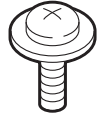
26 Wire ties  
(4 Not used)



4 Self-tapping screws, 3 x 10 mm



2 Washer screws, 4 x 10 mm



Ground bolt



Clip



2 Bushes



2 Self-tapping screws (Black)

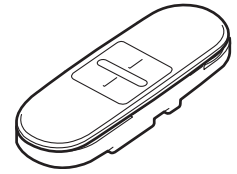


Bumper rubber

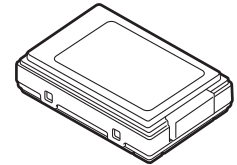


**HFL Kit  
P/N 08E00-E10-100**

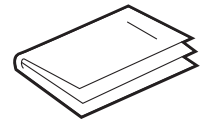
Switch



Control unit



Accessory User's Information Manual



**TOOLS AND SUPPLIES REQUIRED**

#2 Phillips screwdriver

Flat-tip screwdriver

Shop towel

Diagonal cutters

Ratchet

10 mm Socket

10 mm Combination wrench

Utility Knife

T15 Torques

Felt-tip pen

Tape

Pushpin

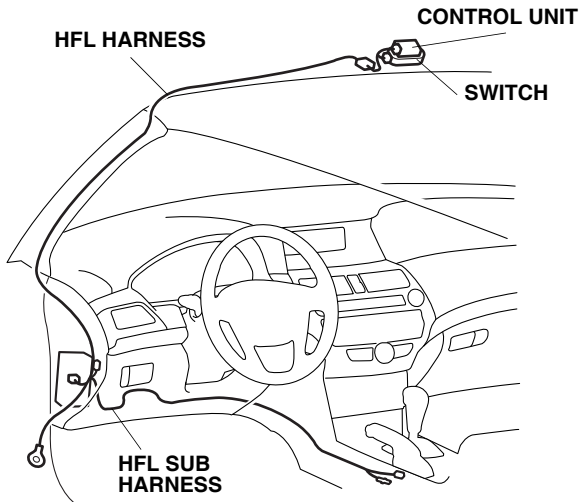
Drill

3 mm, 4.5 mm, 9 mm, and 10 mm Drill bit

20 mm Hole saw

Wire

## Illustration of the HFL Installed on the Vehicle



## INSTALLATION

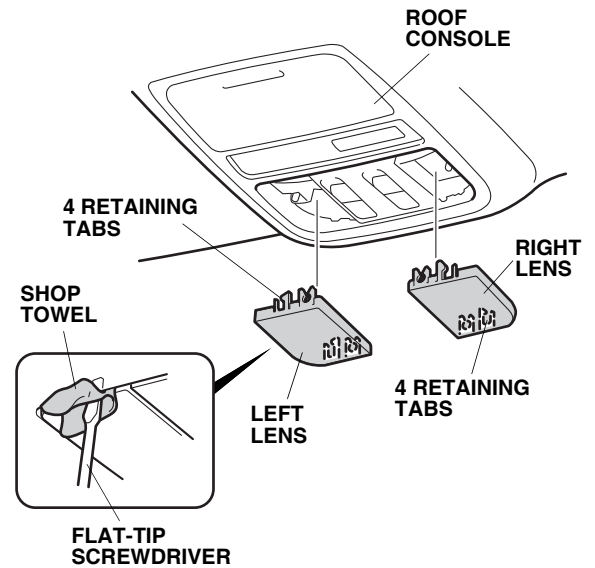
**Customer Information:** The information in this installation instruction is intended for use only by skilled technicians who have the proper tools, equipment, and training to correctly and safely add equipment to your vehicle. These procedures should not be attempted by “do-it-yourselfers.”

1. Make sure you have the anti-theft code for the audio unit and the navigation system, then write down the radio presets.
2. Disconnect the negative cable from the battery.

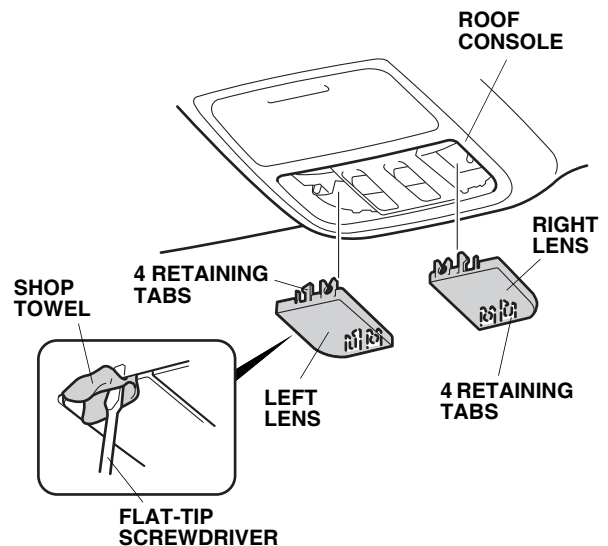
## Removing the vehicle parts

3. Disengage the eight retaining tabs and remove left and right lens from the roof console.

### With Long Roof Console

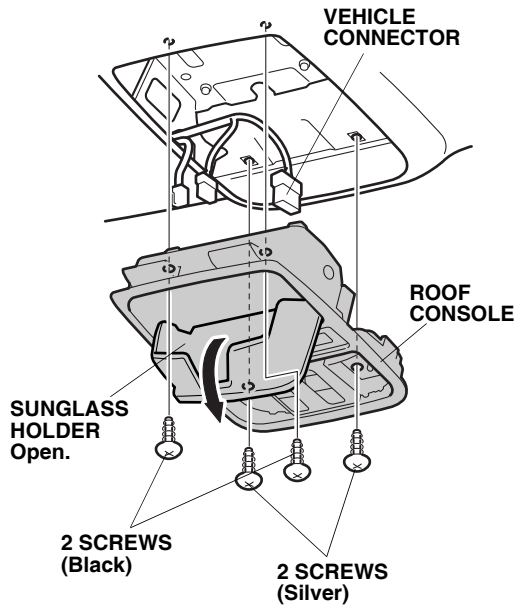


### With Short Roof Console

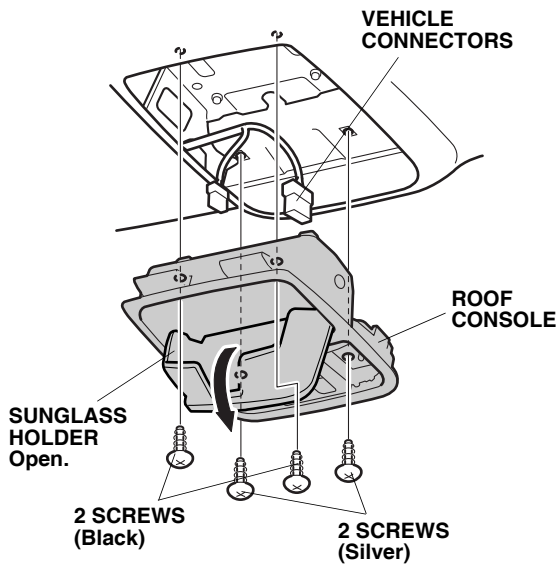


4. Open the sunglass holder.
5. Remove the two screws (Black) and the two screws (Silver) and let the roof console drop down. Disconnect the three vehicle connectors and remove the roof console.

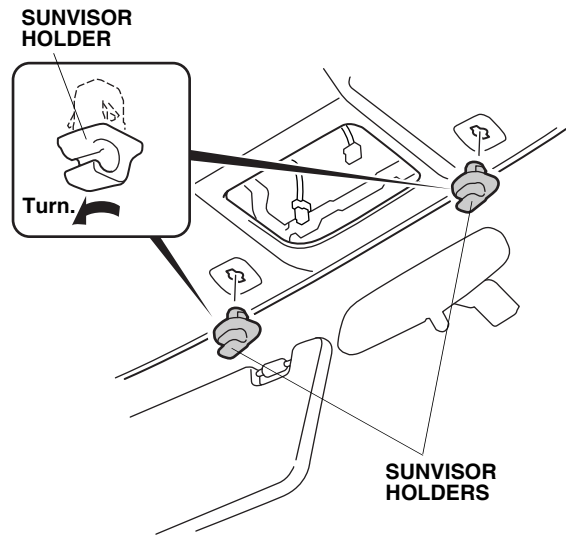
### Long Roof Console



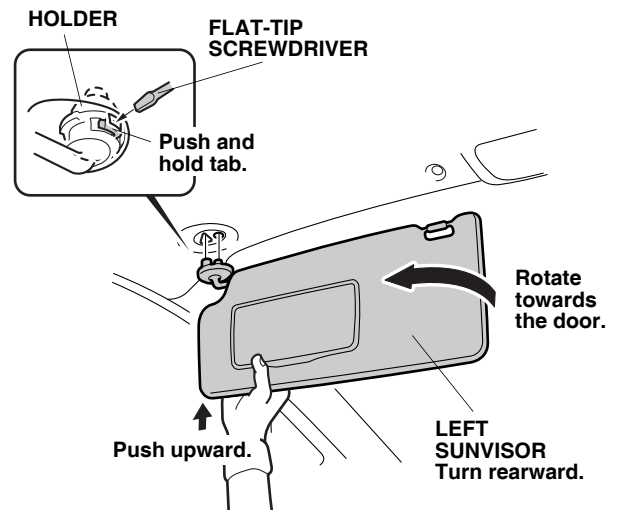
### Short Roof Console



6. Turn the sunvisor holder 90°, and remove the two sunvisor holders.

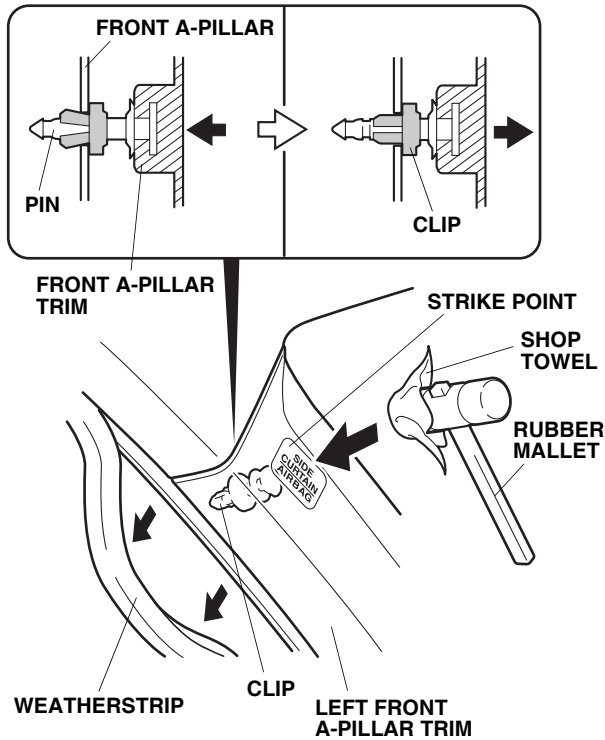


7. Turn the left sunvisor toward the driver's door.
8. Locate the slot in the sunvisor holder, and insert a flat-tip screwdriver into the slot. Push in and hold the retaining tab.
9. While holding the retaining tab, push up on the left sunvisor holder and turn the left sunvisor back to its original position to remove it. If the retaining tab does not stay pushed in, return the sunvisor to its original position and repeat the steps 7 and 9.



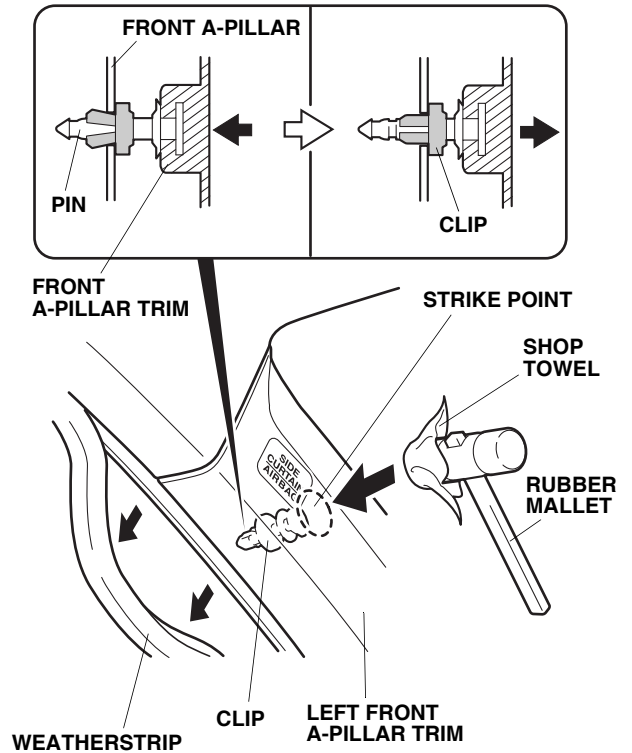
**2-door model: Perform step 10 and 11.**

10. Pull away the weatherstrip from the left front A-pillar trim.
11. Using a small rubber mallet and a shop towel, gently tap the left front A-pillar trim at the "SIDE CURTAIN AIRBAG" mark to release the clip. Go to step 14.

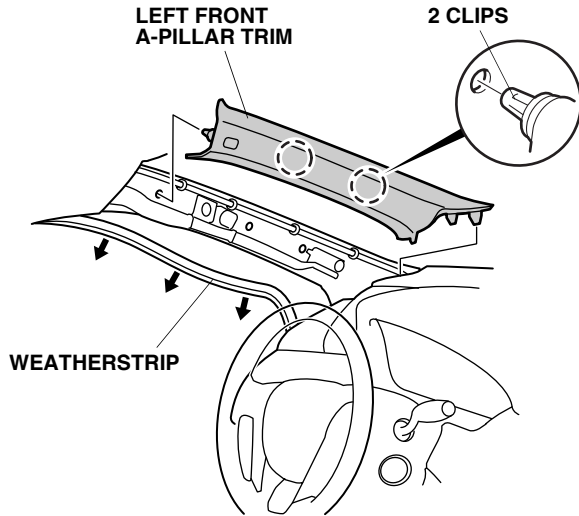


**4-door model: Perform step 12 and 13.**

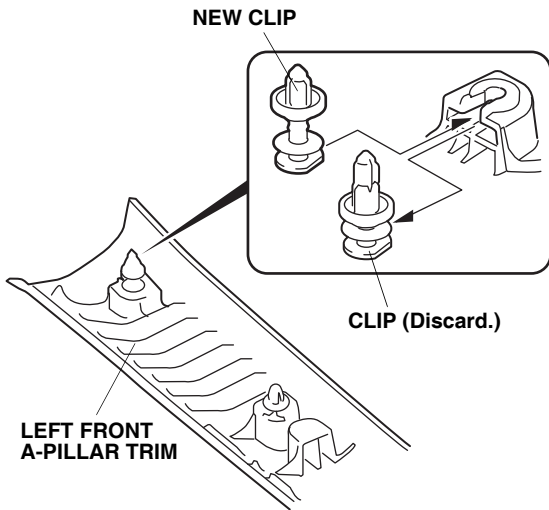
12. Pull away the weatherstrip from the left front A-pillar trim.
13. Using a small rubber mallet and a shop towel, gently tap the left front A-pillar trim just below the "SIDE CURTAIN AIRBAG" mark.



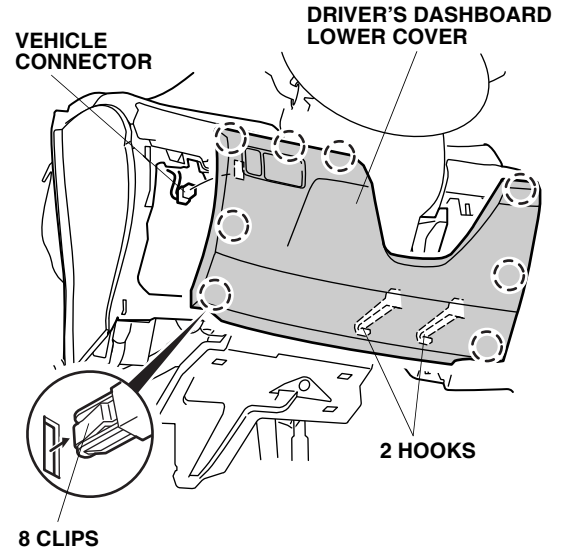
14. Remove the left front A-pillar trim (two clips).



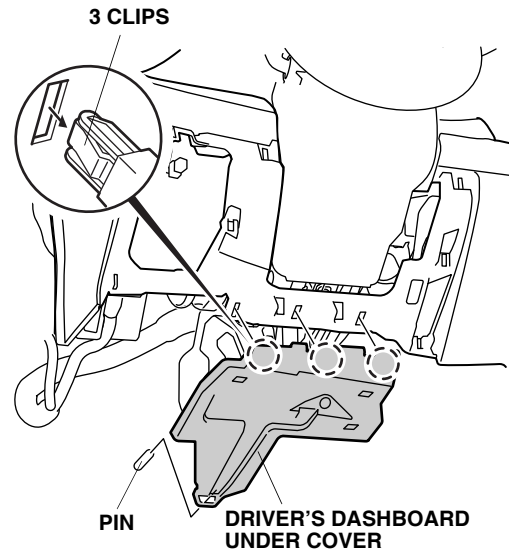
15. Remove and discard the clip from the left front A-pillar trim, and install a new clip (supplied) on the left front A-pillar trim.



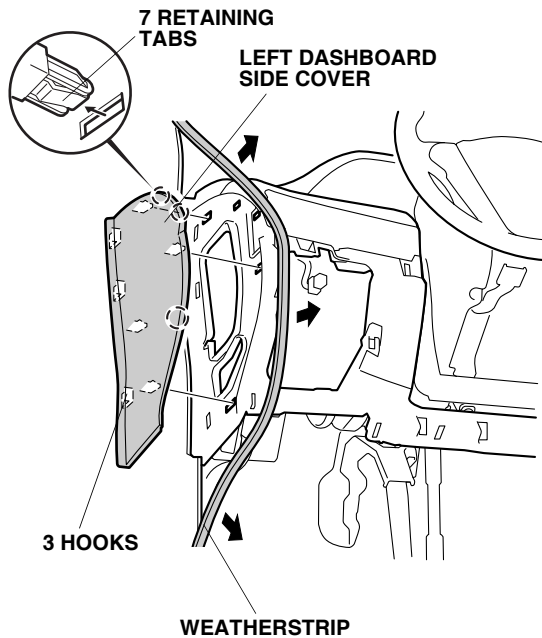
16. Remove the driver's dashboard lower cover (eight clips, two hooks, and disconnect the vehicle connector).



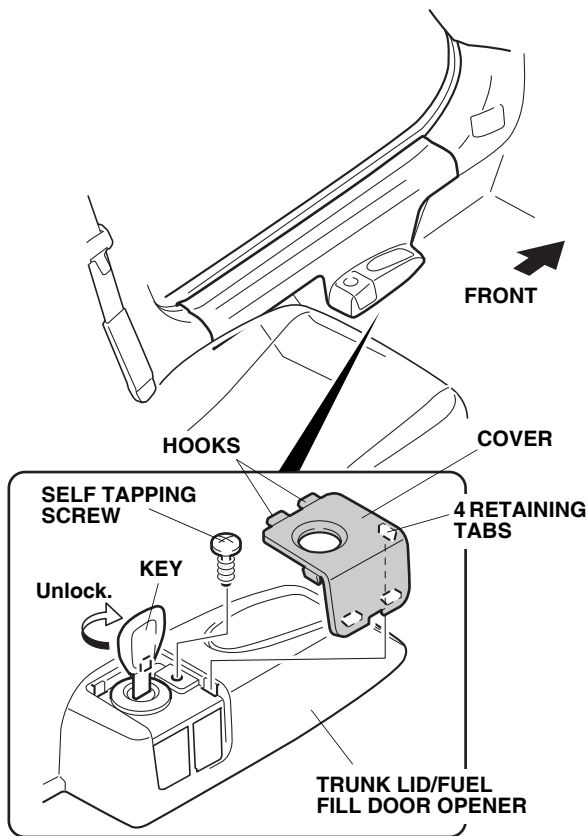
17. V6 Model only; Remove the driver's dashboard under cover (three clips and one pin).



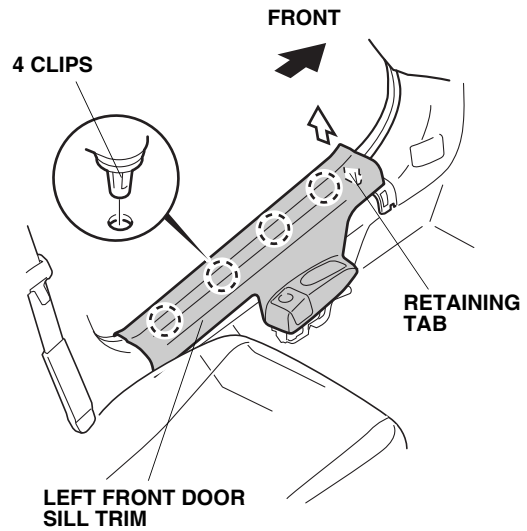
18. Pull away the weatherstrip, remove the left dashboard side cover (seven retaining tabs).



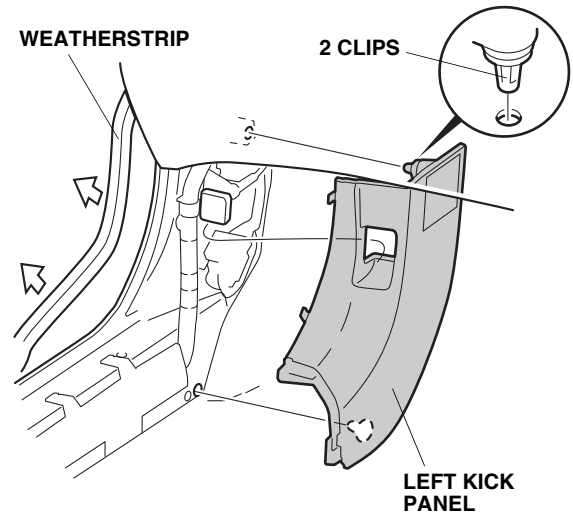
19. Remove the cover from the trunk lid/fuel fill door opener (two hooks and four retaining tabs), then remove one self-tapping screw. Make sure the trunk lid/fuel fill door opener is unlocked.



20. Pull up the front side of the left front door sill trim (four clips and retaining tab).



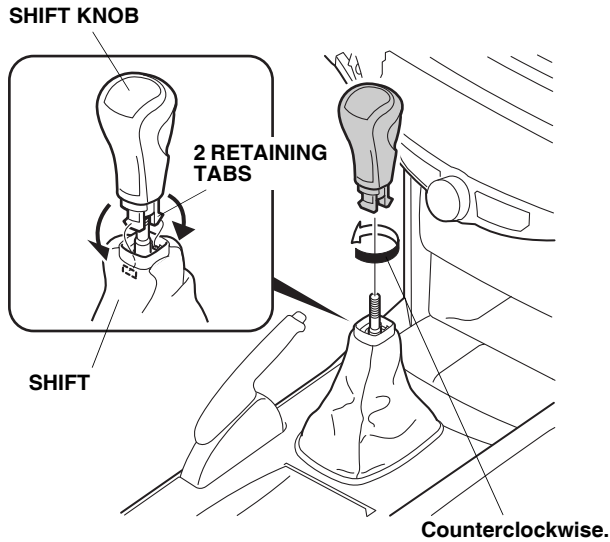
21. Pull away weatherstrip, and remove the left kick panel (two clips).



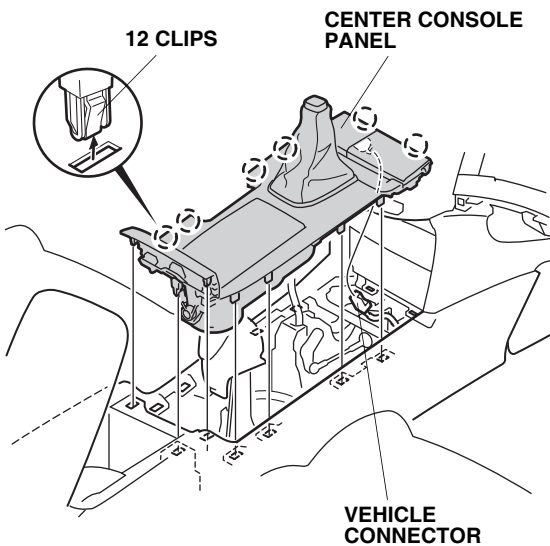
If the vehicle is M/T Model, continue with step 22; if not, go to step 24.

### M/T Model

22. Push down on the shift boot (two retaining tabs). Remove the shift knob by turning it counterclockwise.

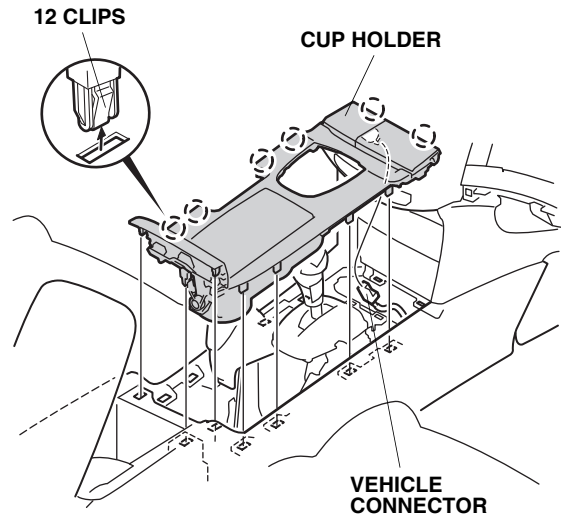


23. Remove the center console panel (twelve clips and disconnect the vehicle connector). Go to step 25.



### A/T Model

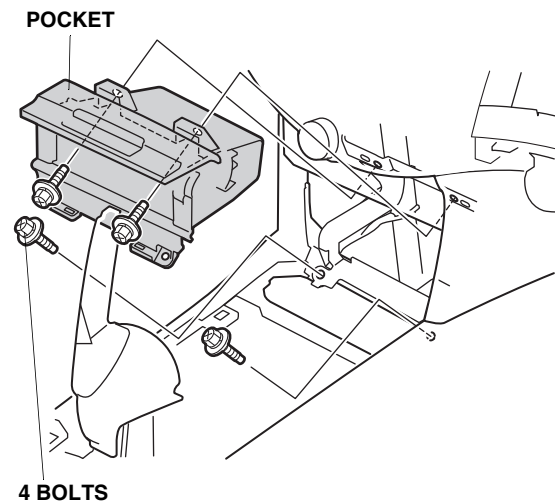
24. Remove the cup holder (twelve clips and disconnect the vehicle connector).



With Navigation, continue with step 25;  
Without Navigation go to step 27.

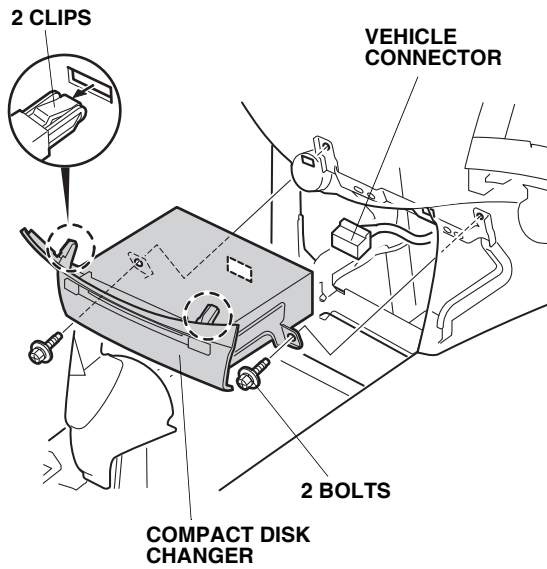
### With Navigation

25. Remove the pocket (four bolts).



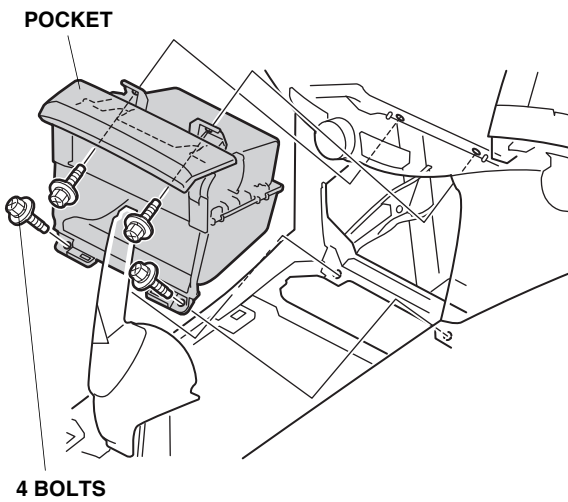


26. Remove the compact disk changer (two bolts, two clips, and disconnect the vehicle connector). Go to step 28.

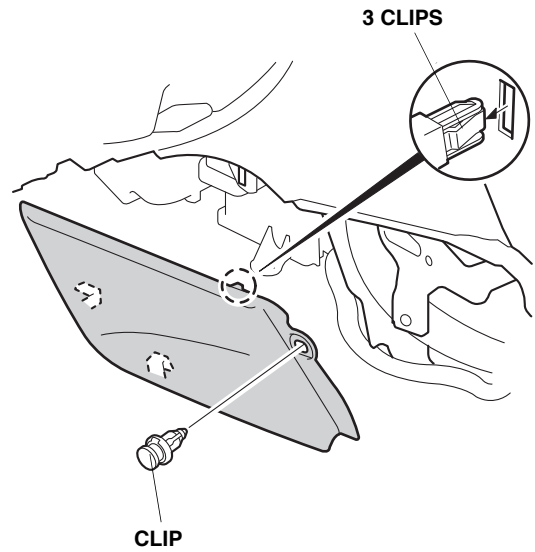


**Without Navigation**

27. Remove the pocket (four bolts).



28. Remove the left lower cover (one clip and three clips).

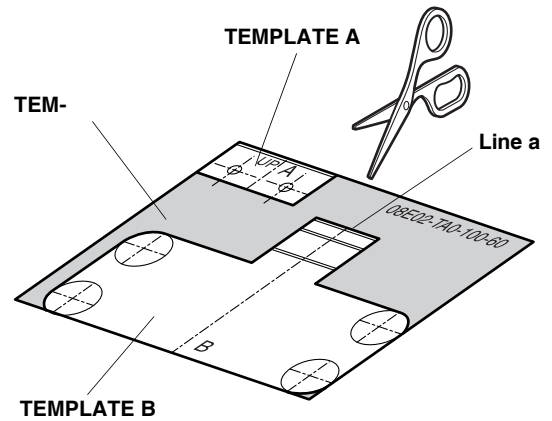


**Installing the control unit and Routing the harness**

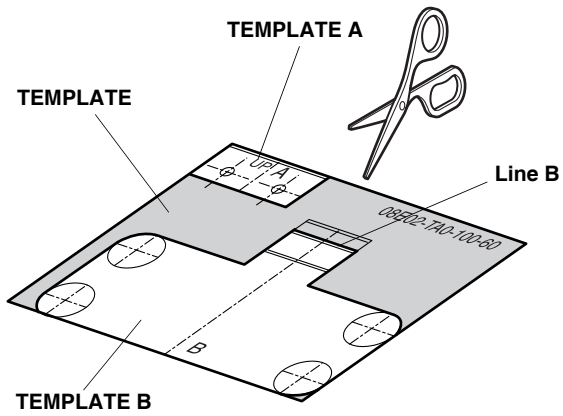
If the vehicle is equipped with the Long roof console, continue from step 29; if not, go to step 46.

**Long Roof Console**

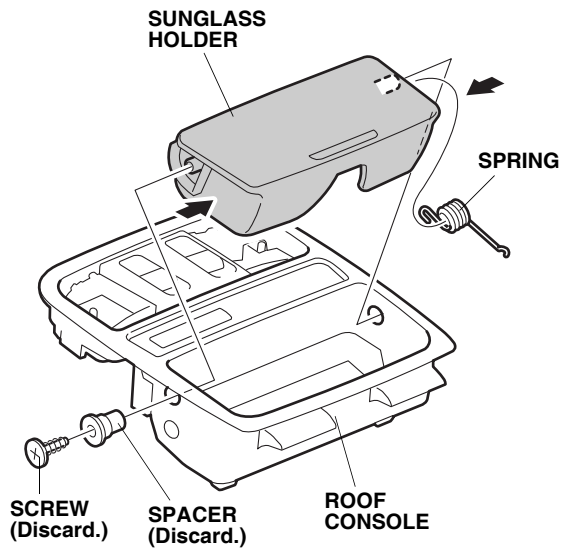
29. Using a scissors, cut out template A and template B.  
 Vehicle identification number:  
 1HG\*\*\*\*\*A\*\*\*\*\*



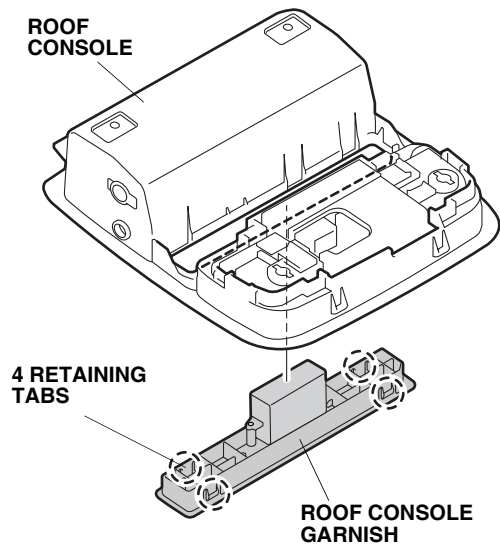
Vehicle identification number:  
JHM\*\*\*\*\*C\*\*\*\*\*



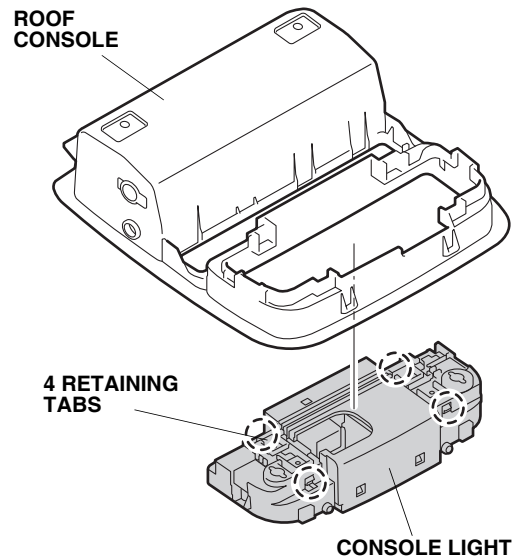
30. Remove the sunglass holder from the roof console (one screw, one spacer, and one spring).



31. Remove the roof console garnish from the roof console (four retaining tabs).

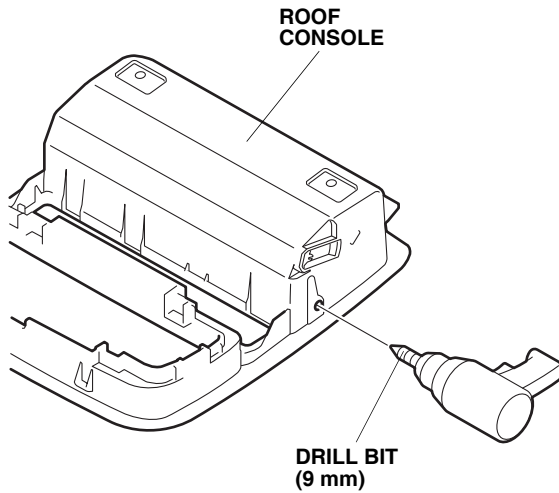


32. Remove the console light from the roof console (four retaining tabs).

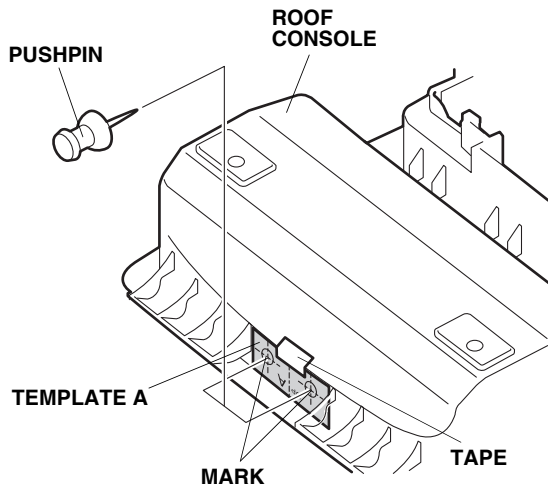


If the vehicle identification number is 1HG\*\*\*\*\*A\*\*\*\*\*, continue from step 33; if not, go to step 34.

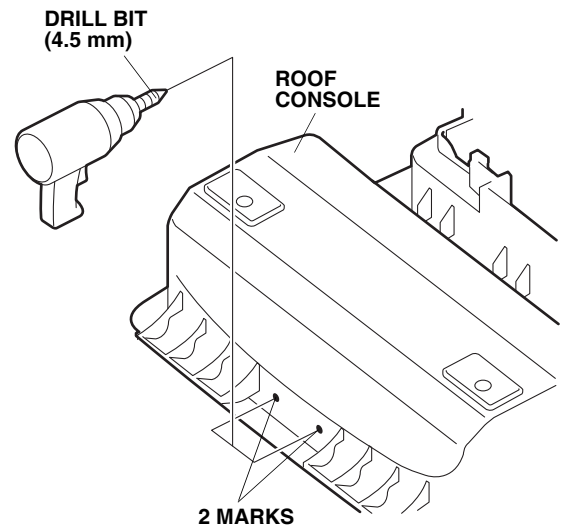
33. While wearing eye protection, widen the sunglass holder installation hole on the roof console with 9 mm drill bit. Make sure to drill at the correct position.



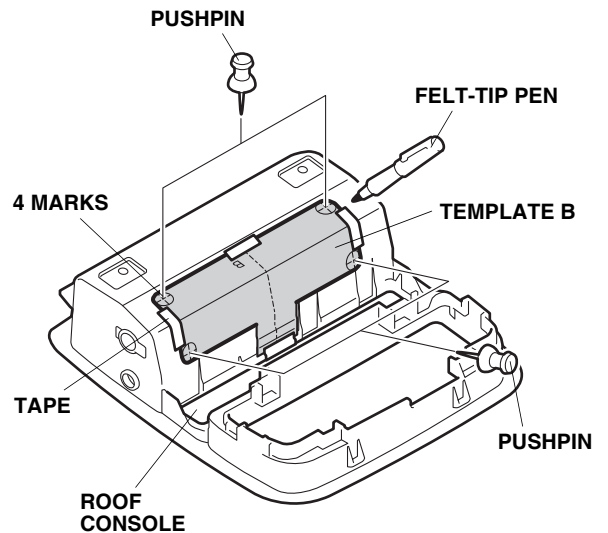
34. Tape the template A to the roof console at the indicated position.  
 35. Using a pushpin, mark the roof console as indicated on the template. Remove the template.



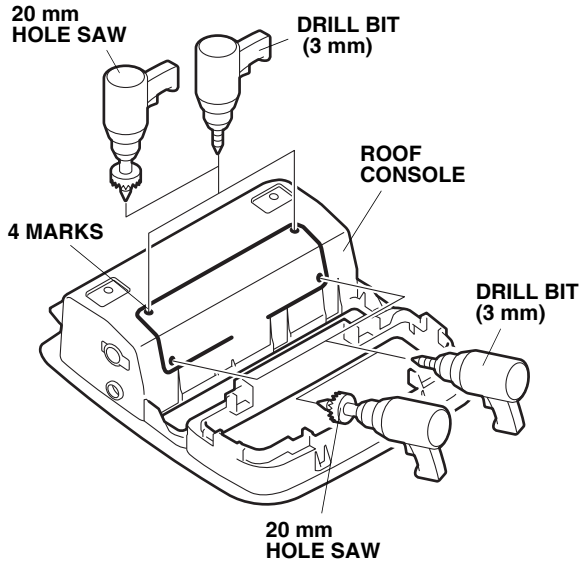
36. While wearing eye protection, drill the two marked locations to 4.5 mm. Remove any burrs.



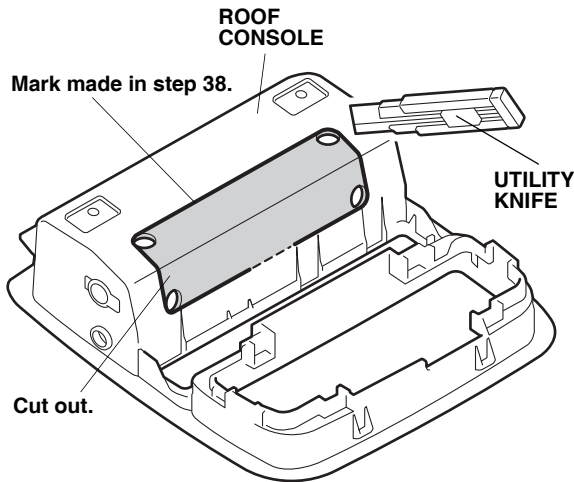
37. Tape the template B to the roof console at the indicated position.  
 38. Using a pushpin, mark the roof console as indicated on the template. Using a felt-tip pen, mark the roof console around the template. Remove the template.



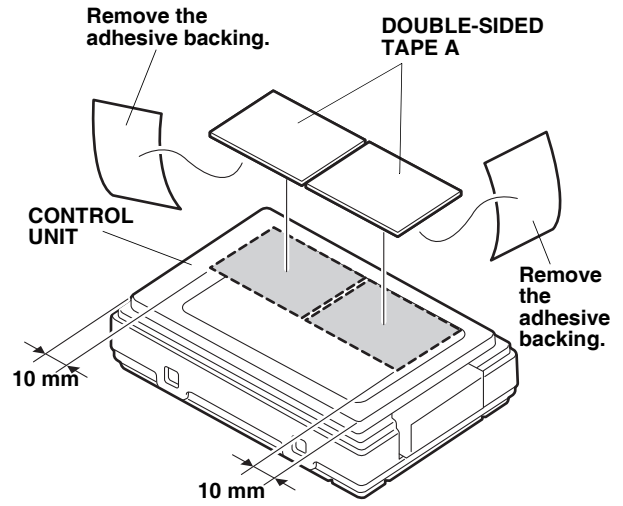
39. While wearing eye protection, drill the four marked locations to 20 mm. First drill with a 3 mm drill bit and finish with a 20 mm hole saw.



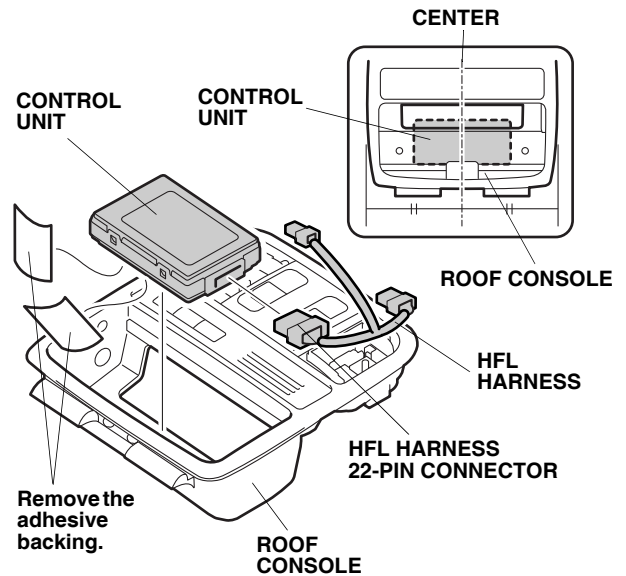
40. Using an utility knife, cut along the marking made on the roof console in step 38. After cutting, remove any burrs.
41. Reinstall the console light, garnish and unit to the roof console.



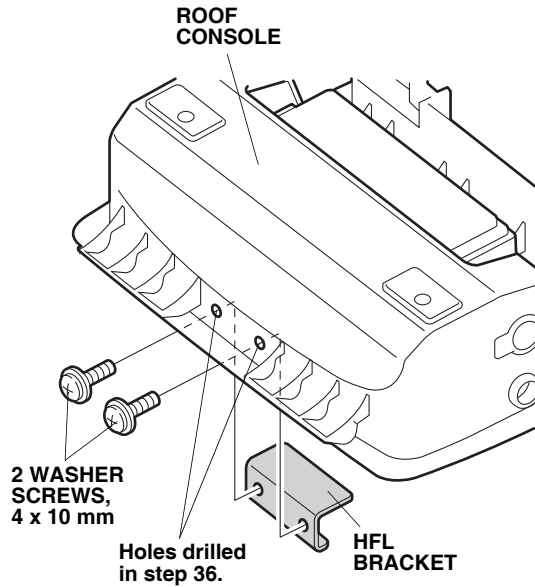
42. Using isopropyl alcohol on a shop towel, clean the areas where the double-sided tape A will attach. Remove the adhesive backing from double-sided tape A and attach the double-sided tape A at the measurements shown.



43. Plug the HFL harness 22-pin connector into the control unit.
44. Using isopropyl alcohol on a shop towel, clean the areas where the double-sided tape A will attach. Remove the removing adhesive backing from the double-sided tape A and attach control unit to the roof console as indicated.

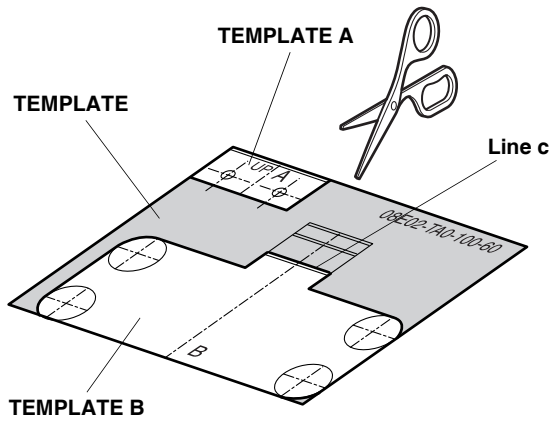


45. Using the holes drilled in step 36 and secure the HFL bracket to the roof console with two 4 x 10 mm washer screws. Go to step 67.

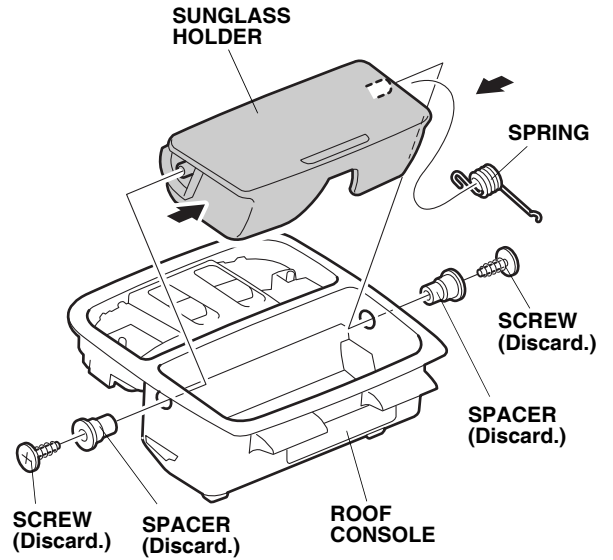


**With Short Roof Console**

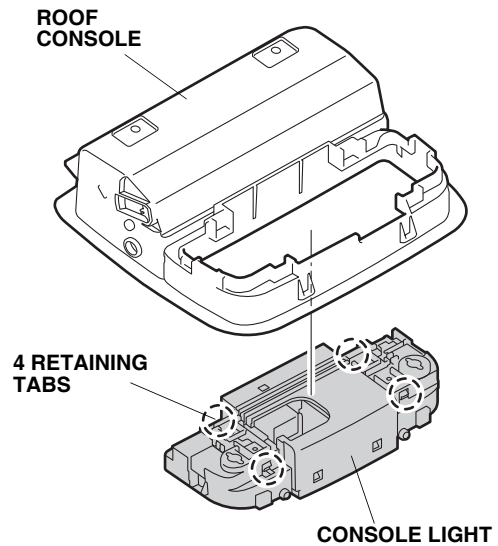
46. Using a scissors, cut out template A and template B.



47. Remove the sunglass holder from the roof console (two screws, two spacers, and one spring).



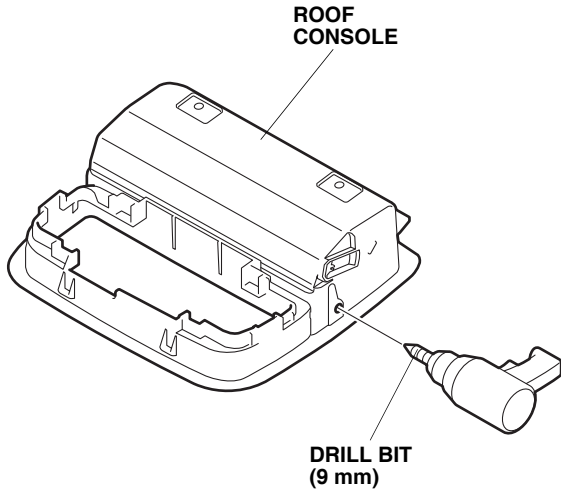
48. Remove the console light from the roof console (four retaining tabs).



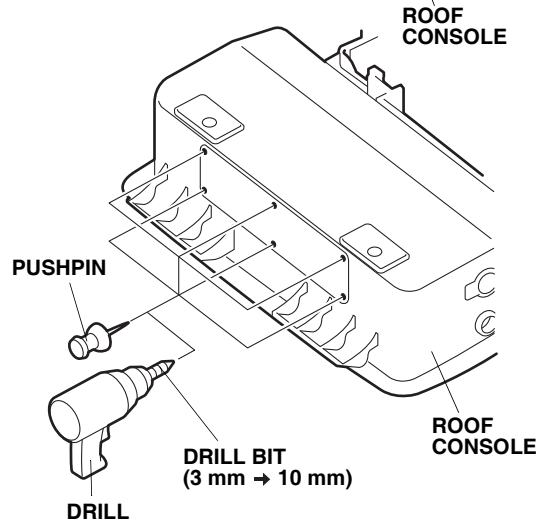
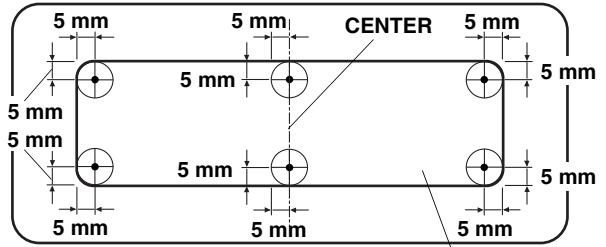
If the vehicle identification number is 1HG\*\*\*\*\*A\*\*\*\*\*, continue with step 49; if not, go to step 52.

Vehicle identification number:  
1HG\*\*\*\*\*A\*\*\*\*\*

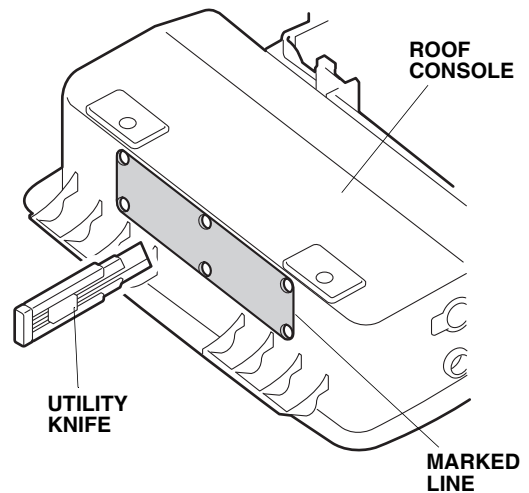
49. While wearing eye protection, enlarge the sunglass holder installation hole on the roof console with 9 mm drill bit. Make sure to drill at the correct position.



50. Measure and pierce six location on the roof console with a pushpin as shown. Drill with 3 mm drill bit on six pierced points. Widen the hole with 10 mm drill bit.

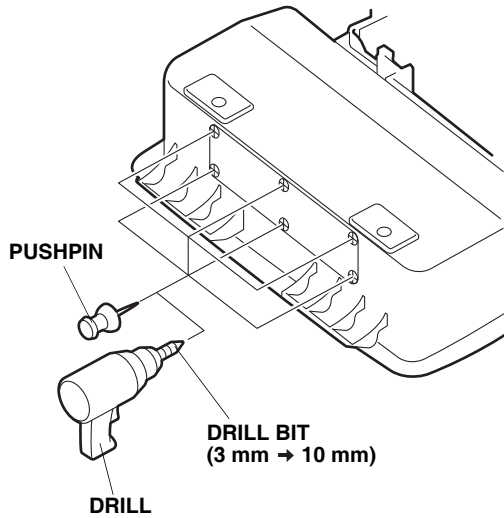


51. Using an utility knife, cut along the marked line on the roof console. Go to step 54.

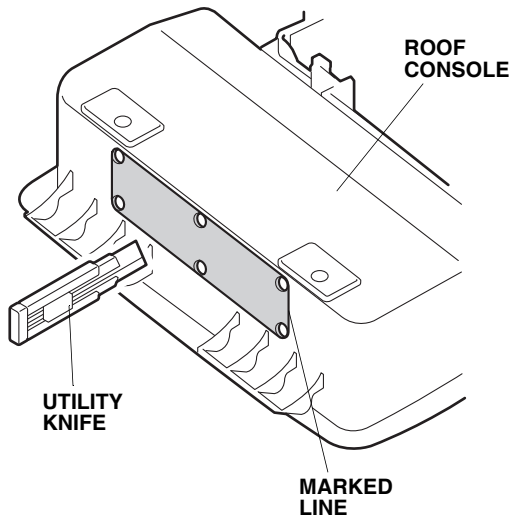


Vehicle identification number:  
JHM\*\*\*\*\*C\*\*\*\*\*

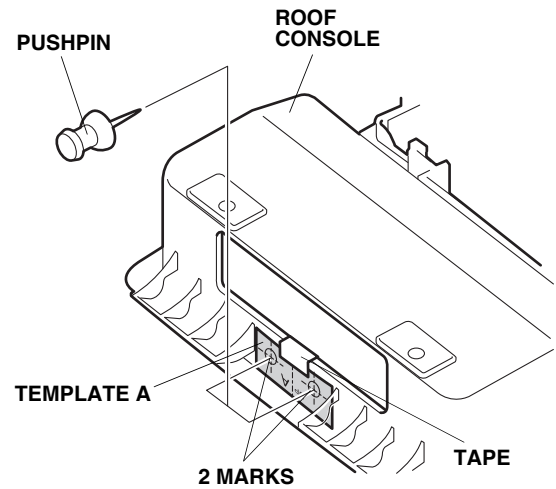
52. Pierce six location on the roof console with a pushpin as shown. Drill with 3 mm drill bit on six pierced points. Widen the hole with 10 mm drill bit.



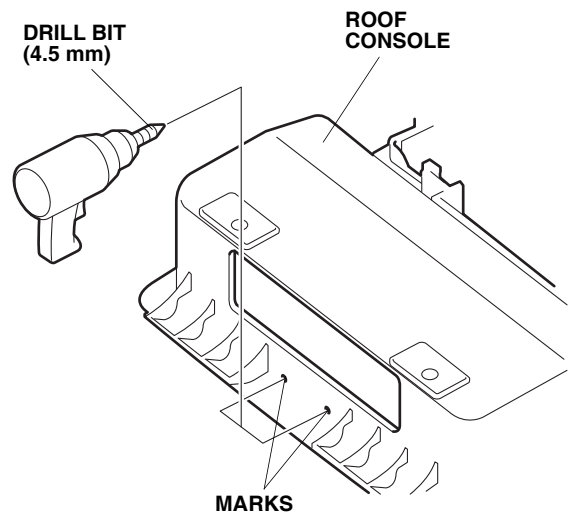
53. Using an utility knife, cut along the marked line on the roof console.



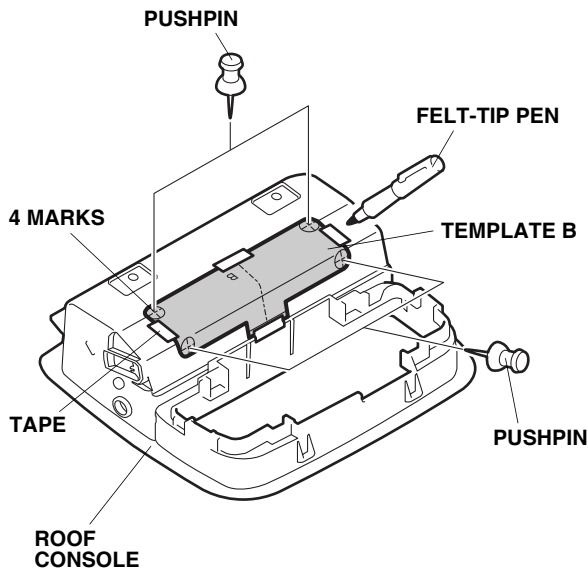
54. Tape the template A to the roof console at the indicated position.  
55. Using a pushpin, mark the roof console as indicated on the template. Remove the template.



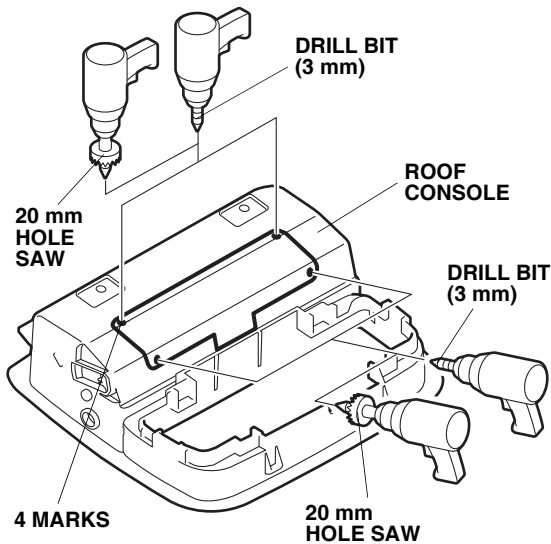
56. While wearing eye protection, drill the two marked locations to 4.5 mm. Remove any burrs.



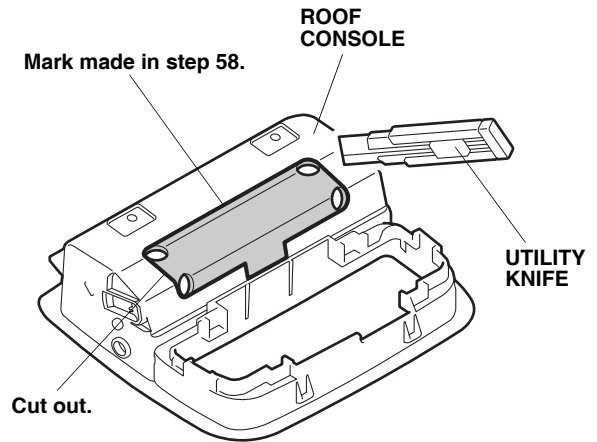
57. Tape the template B to the roof console at the indicated position.
58. Using a pushpin, mark the roof console as indicated on the template. Using a felt-tip pen, mark the roof console around the template. Remove the template.



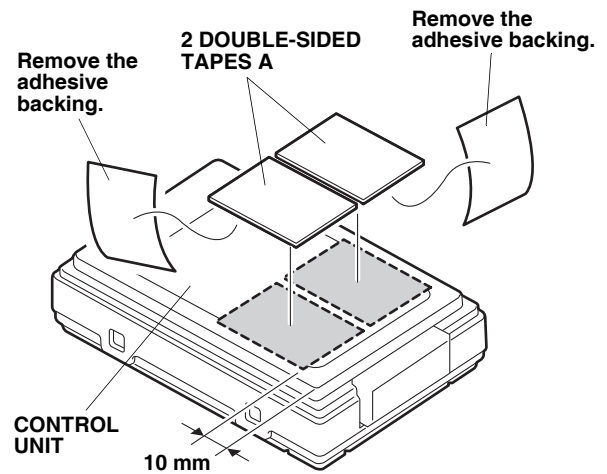
59. While wearing eye protection, drill the four marked locations to 20 mm. First drill with a 3 mm drill bit and finish with a 20 mm hole saw.



60. Using an utility knife, cut along the marking made on the roof console in step 58. After cutting, remove any burrs.
61. Reinstall the console light, garnish and unit to the roof console.

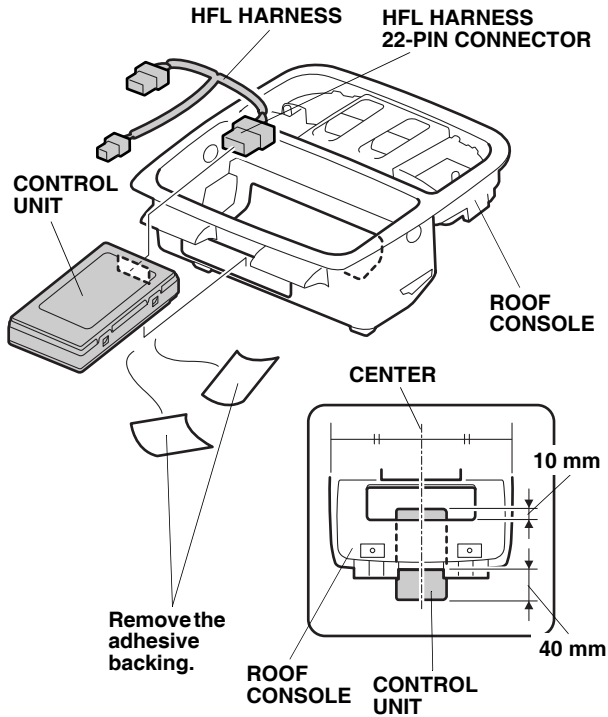


62. Using isopropyl alcohol on a shop towel, clean the areas where the double-sided tape A will attach. Remove the adhesive backing from double-sided tape A and attach the double-sided tape A at the measurements shown.

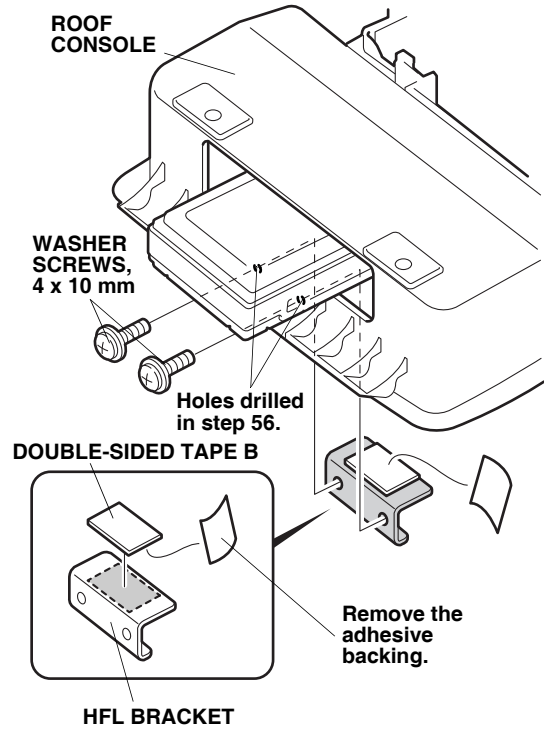




63. Plug the HFL harness 22-pin connector into the control unit.
64. Using isopropyl alcohol on a shop towel, clean the areas where the double-sided tapes A will attach. Remove the removing adhesive backing from the double-sided tape A and attach control unit to the roof console as indicated.



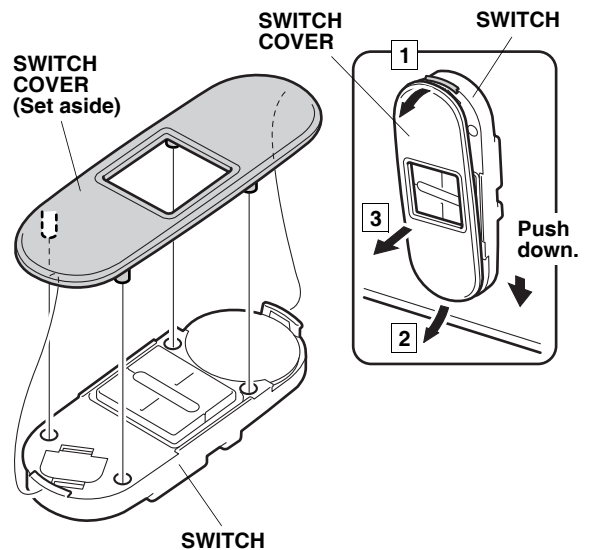
65. Using isopropyl alcohol on a shop towel, clean the areas where the double-sided tape B will attach. Attach a double-sided tape B to the HFL bracket.
66. Use the holes drilled in step 56 and secure the HFL bracket with two 4 x 10 mm washer screws to the roof console.



### Switch Installation

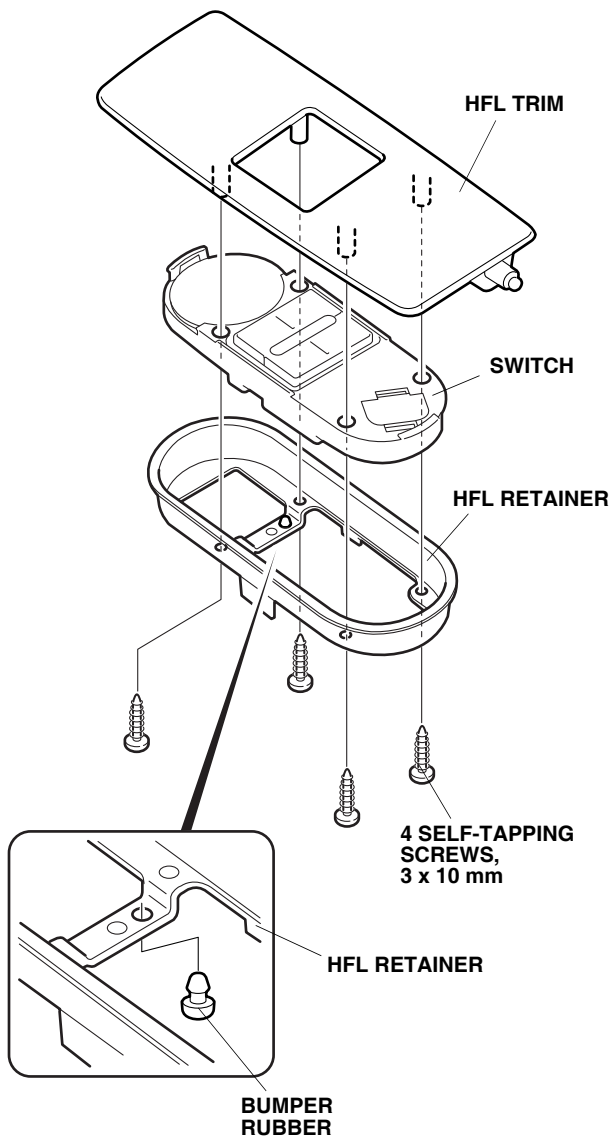
67. Push down the switch cover as shown and remove it. Remove the switch cover in the following order

1 → 2 → 3.

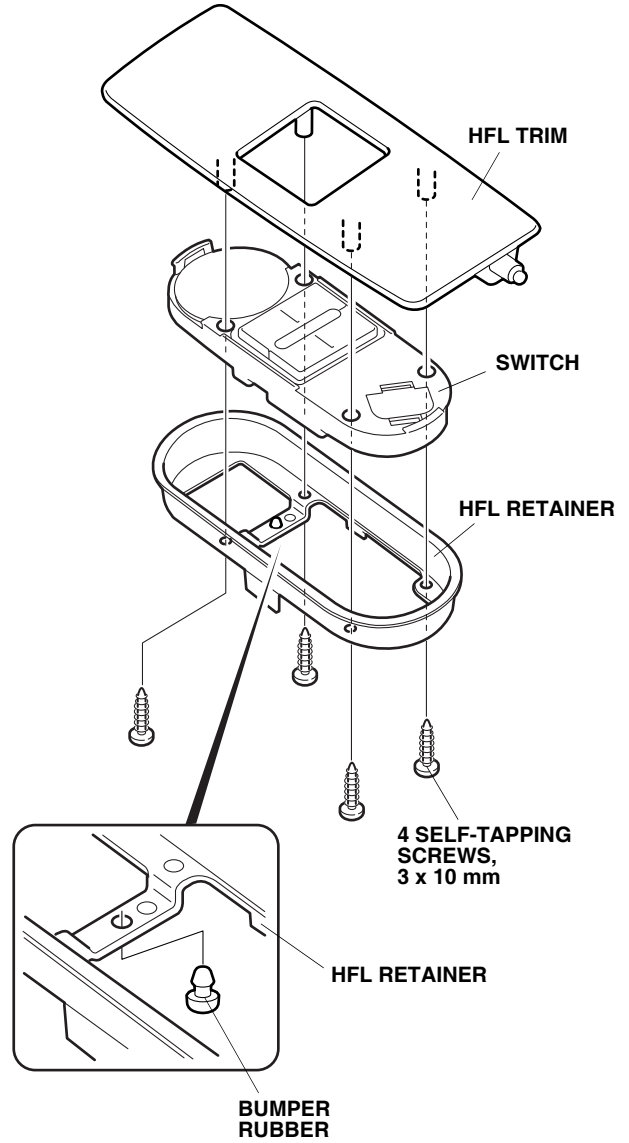


68. Insert the bumper rubber to the HFL retainer.
69. Assemble HFL retainer, switch, and HFL trim with four 3 x 10 mm self-tapping screws.

**With Long Roof Console**

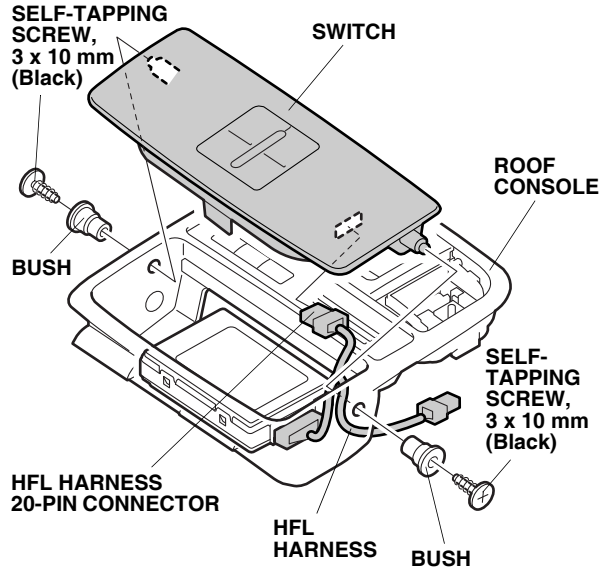


**With Short Roof Console**

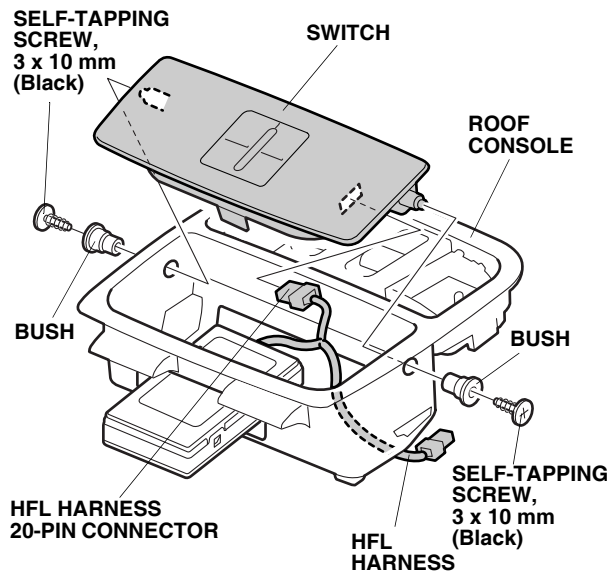


70. Connect the HFL harness 20-pin connector into the switch.
71. Install the switch assembly in step 69 to the roof console with two self-tapping screws (Black) and two bushes.

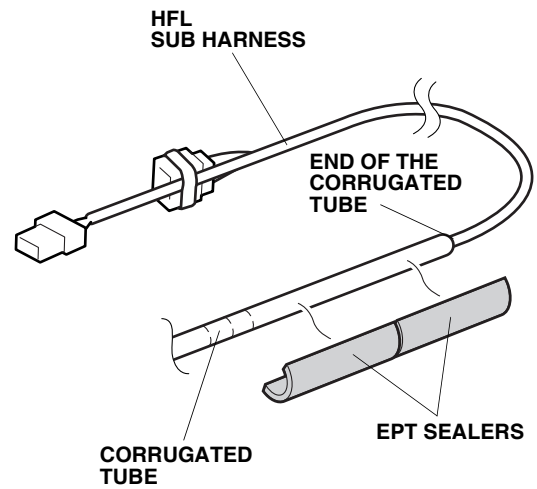
**With Long Roof Console**



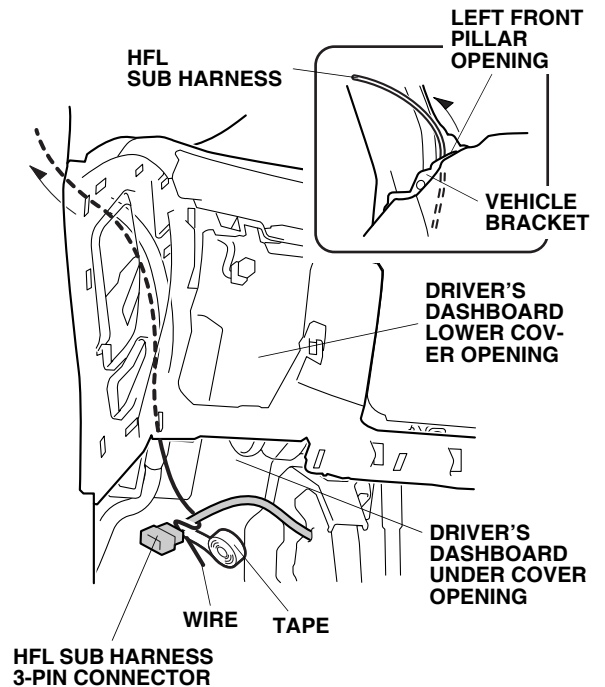
**With Short Roof Console**



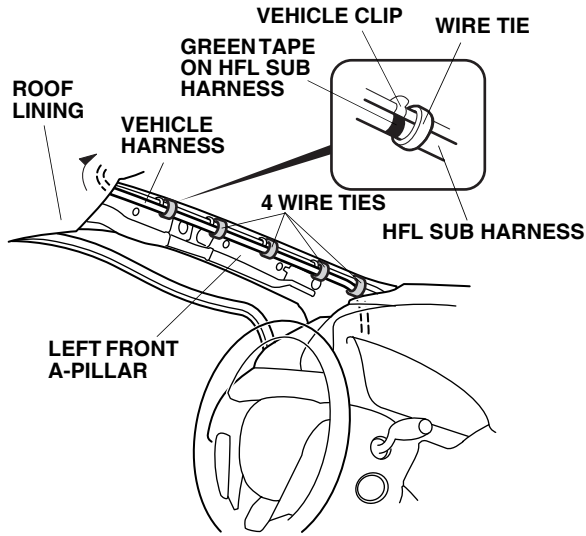
72. Wrap two EPT sealers in the position shown to the HFL sub harness around the corrugated tube.



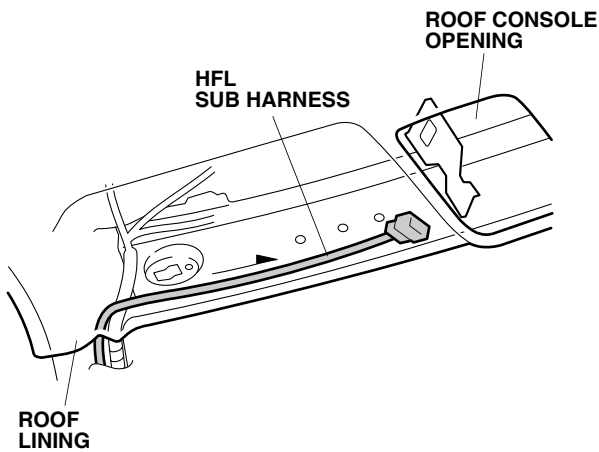
73. Wrap a wire to the sub harness as shown. Route a wire and pull the sub harness through the driver's dash board under cover opening to the left front pillar opening.



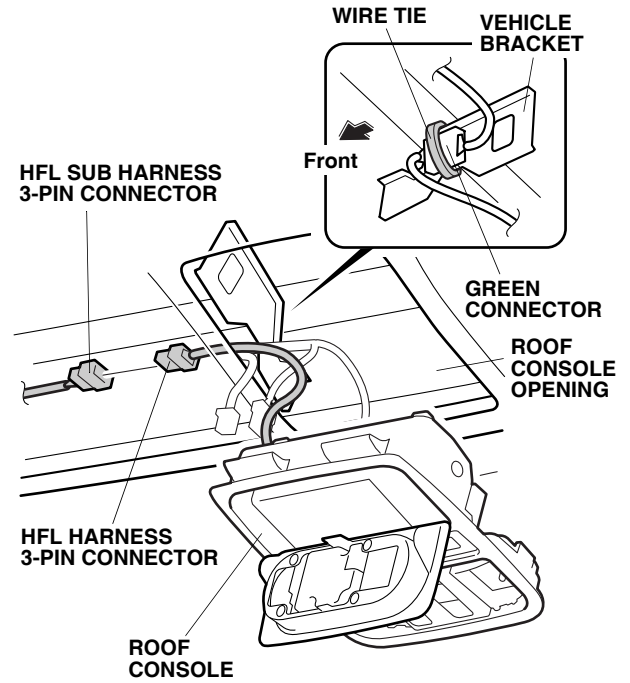
74. Route the HFL sub harness up the A-pillar, and align the green tape on the HFL sub harness with the vehicle clip.
75. Secure the HFL sub harness to the vehicle harness with one wire tie at this location.
76. Secure the HFL sub harness to the vehicle harness with the four wire ties.



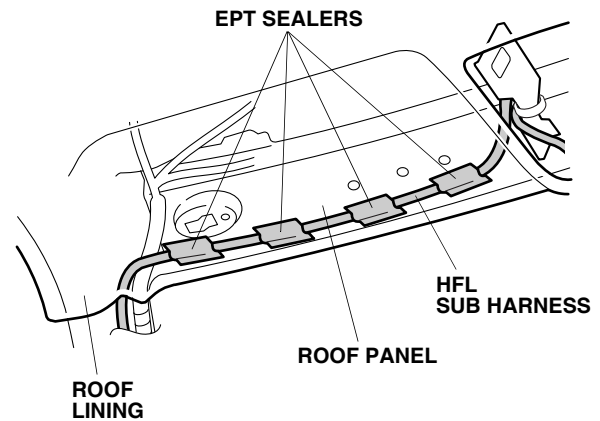
77. Route the HFL sub harness to the roof console opening.



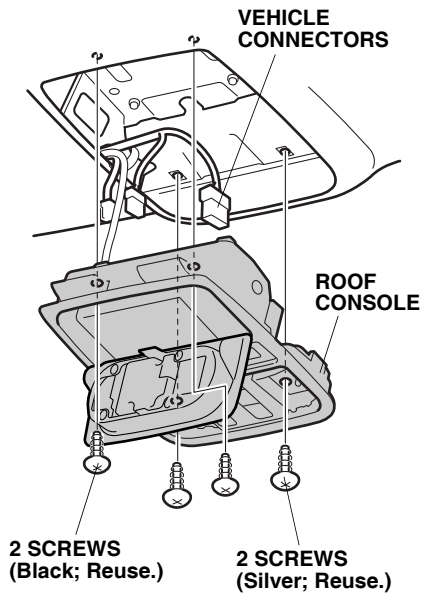
78. While an assistant holding the roof console near the roof console opening, plug the HFL harness 3-pin connector into the HFL sub harness 3-pin connector, and secure the connector to the vehicle bracket with one wire tie.



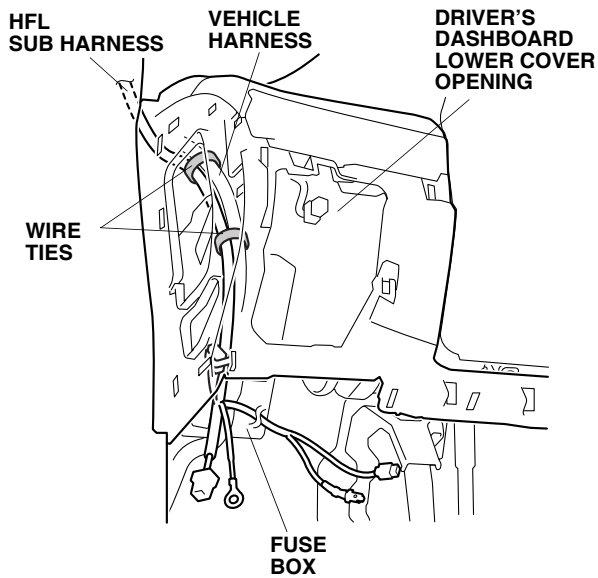
79. Using isopropyl alcohol on a shop towel, clean the areas where the EPT sealers will attach. Under the roof liner, secure the HFL sub harness to the roof panel with four EPT sealers.



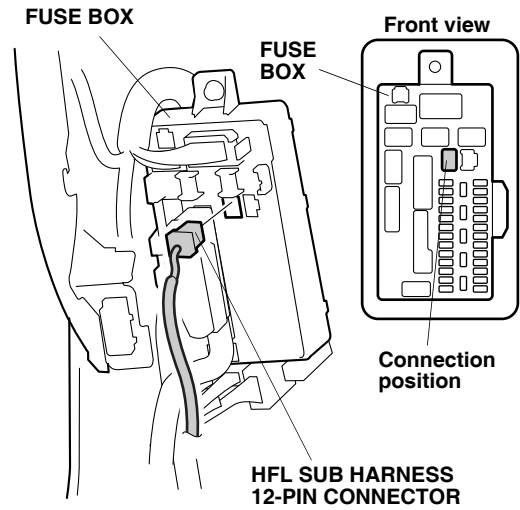
80. Plug the vehicle connectors to the roof console. Reuse the two screws (Black) and the two screws (Silver) to reinstall the roof console.



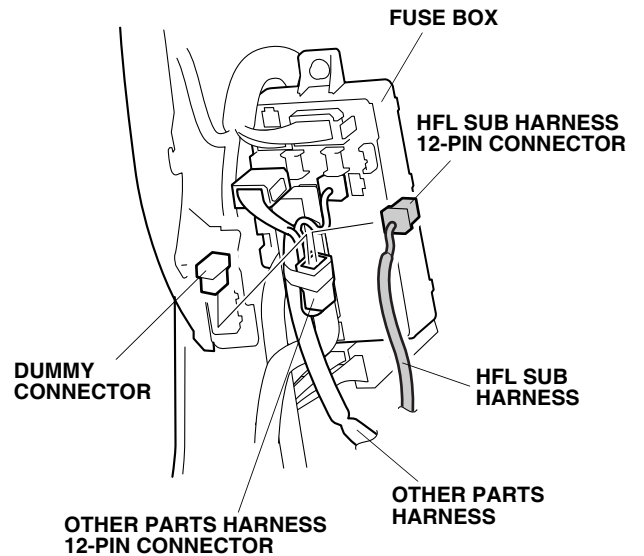
81. Route the HFL sub harness down along the vehicle harness forward the fuse box as shown. Secure the HFL sub harness to the vehicle harness with two wire ties.



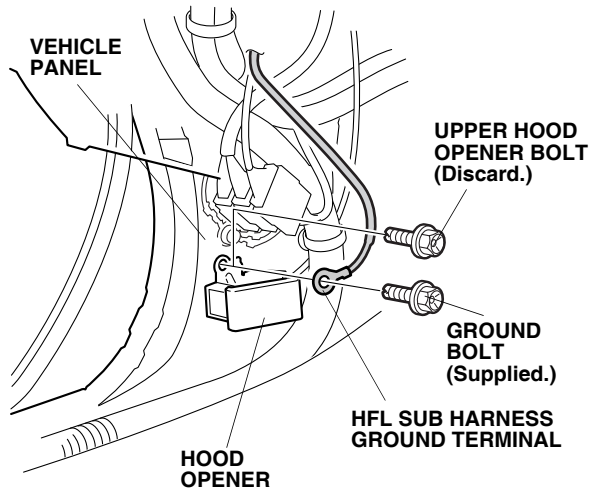
82. Plug the HFL sub harness 12-pin connector into the fuse box.



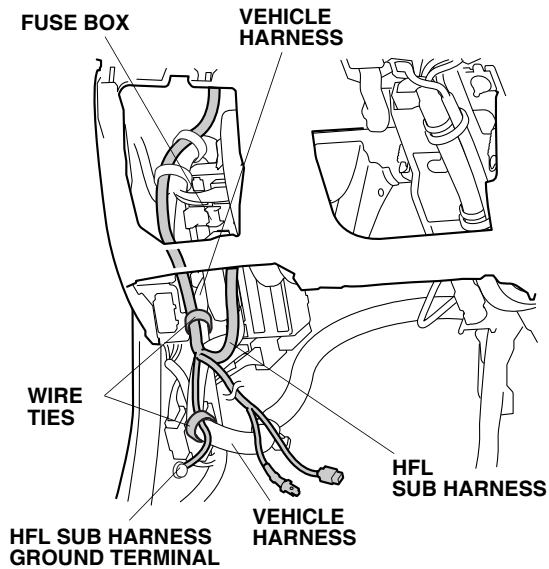
When connectors of other parts are connected, remove the dummy connector from the 12-pin connector of the other parts harness and connect the 12-pin connector of the HFL sub harness of the other parts harness.



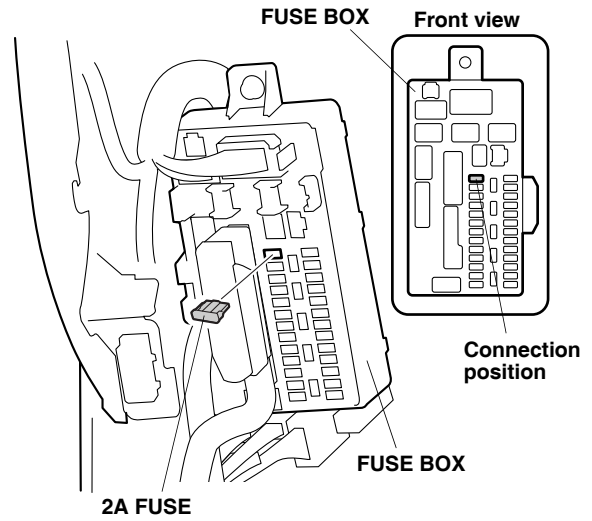
83. Remove the upper hood opener bolt, install the ground bolt with the HFL sub harness ground terminal into the upper hole of the hood opener, and tighten the ground bolt.



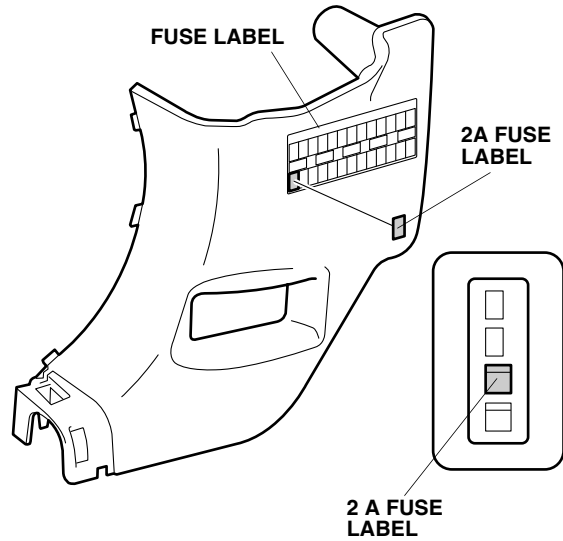
84. Secure the HFL sub harness to the vehicle harness with two wire ties.



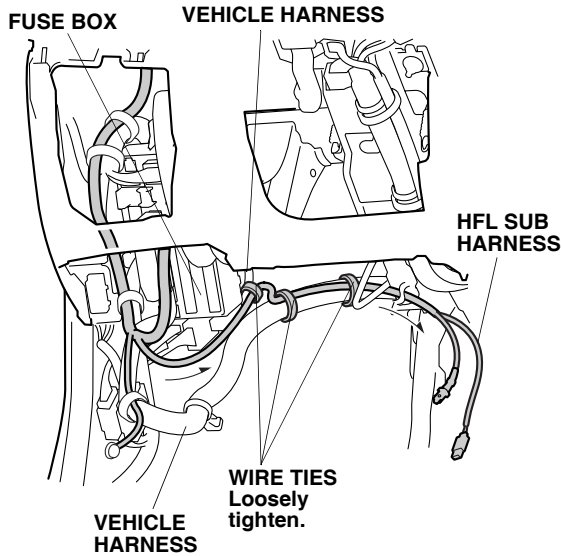
85. Install the 2 A fuse to the fuse box at the location shown.



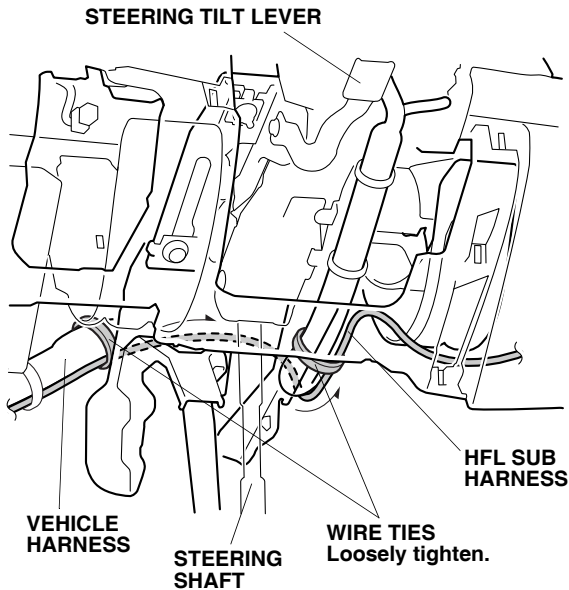
86. Attach the HFL 2 A fuse label to the kick panel at the location shown.



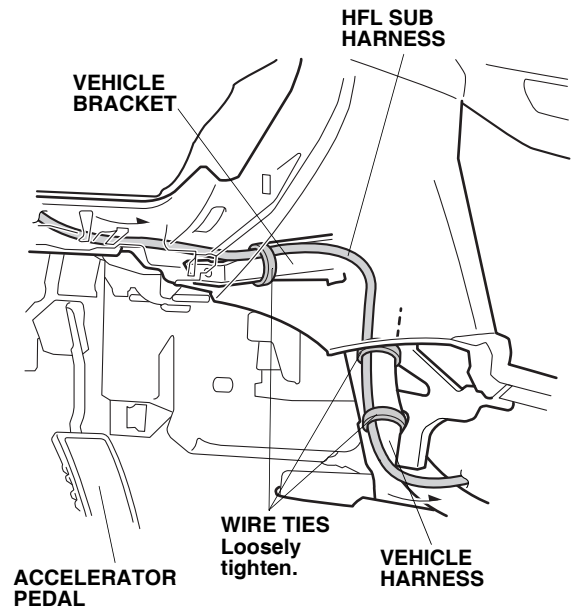
87. Route the HFL sub harness along the vehicle harness as shown. Loosely tighten it to the vehicle harness with three wire ties.



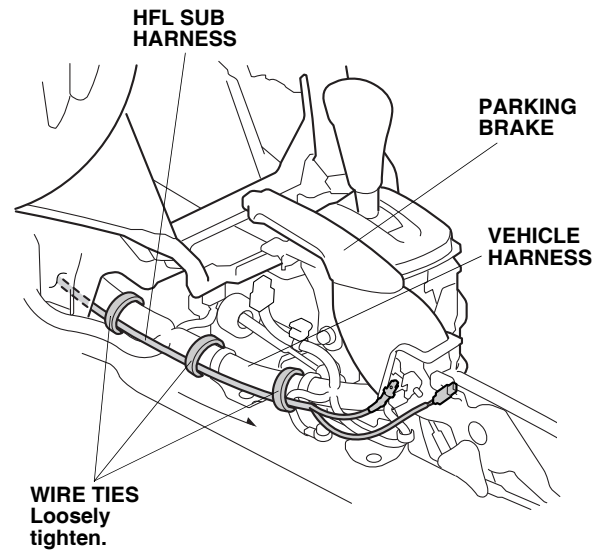
88. Route the HFL sub harness along the vehicle harness as shown. Loosely tighten it to the vehicle harness with two wire ties.



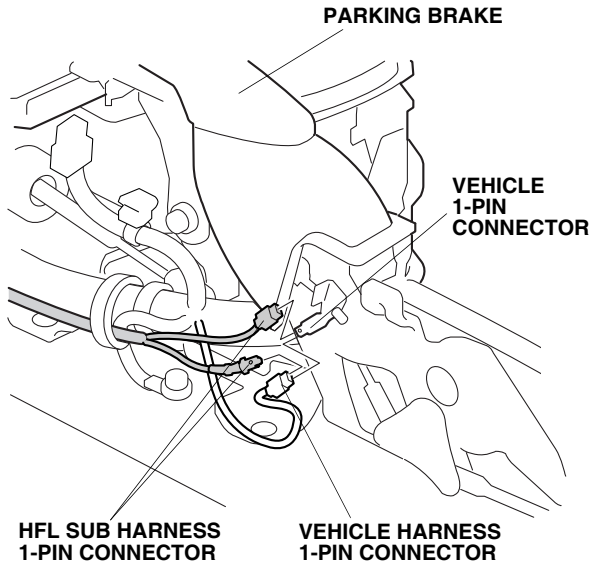
89. Route the HFL sub harness as shown. Loosely tighten it to the vehicle harness with three wire ties.



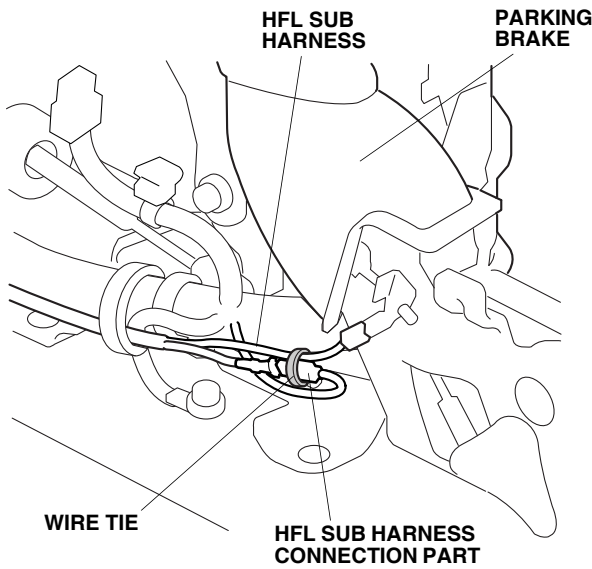
90. Route the HFL sub harness along the vehicle harness. Loosely tighten it to the vehicle harness with three wire ties.



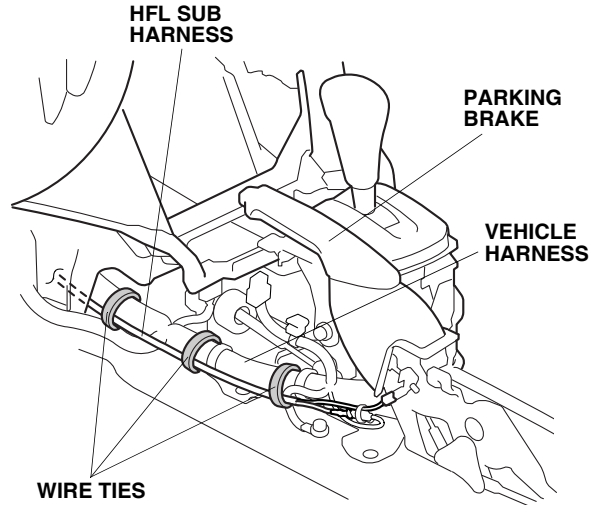
91. Disconnect the vehicle harness 1-pin connector and connect the HFL sub harness 1-pin connector in between.



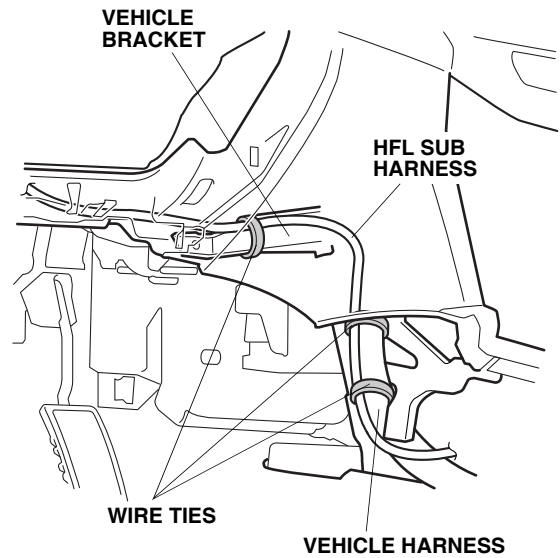
92. Secure the HFL sub harness connection part with a wire tie.



93. Tighten three wire ties from step 90.

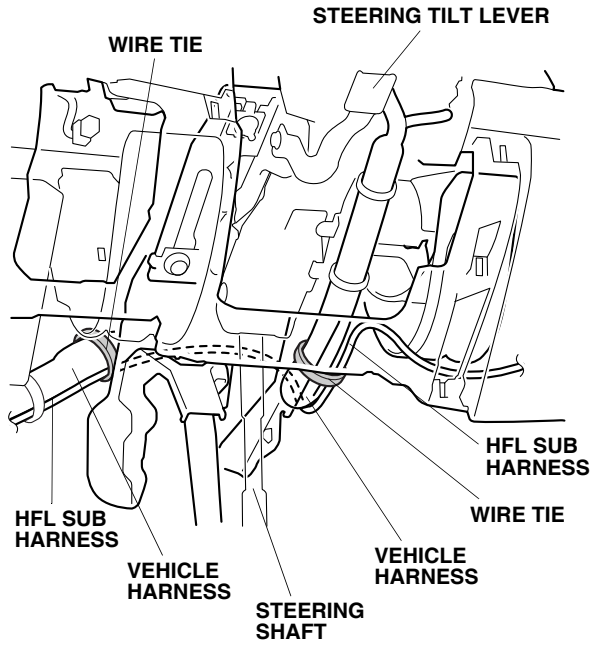


94. Tighten three wire ties from step 89.

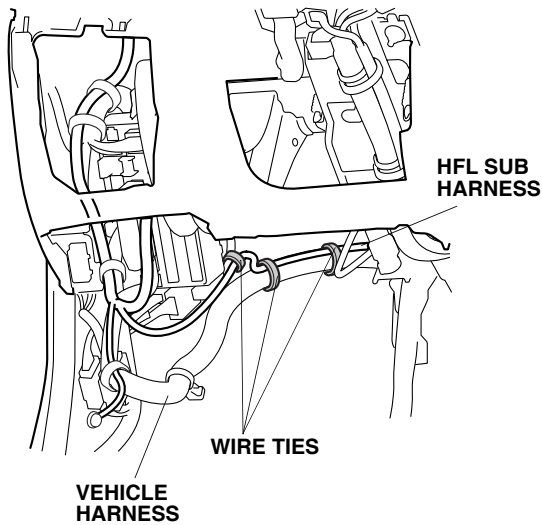




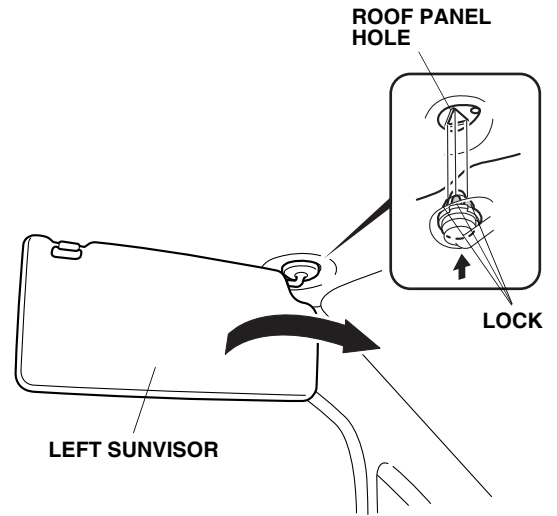
95. Tighten three wire ties from step 88.



96. Tighten three wire ties from step 87.



97. Reconnect the connector. Insert the holder into the roof panel hole. Push up on the visor and rotate to its original position to lock into place. The connector should be tucked out of the visor holder.



- 98. Check that all wire harnesses are routed properly and all connectors are plugged in.
- 99. Reinstall all removed parts. Check that all clips and other fasteners are installed securely.
- 100. Reconnect the negative cable to the battery.
- 101. Enter the customer's radio anti-theft code, and reset the radio station presets.
- 102. Reset the clock.