



INSTALLATION INSTRUCTIONS

Accessory

CARGO NET
P/N 08L96-SNA-100

Application

2007 CIVIC
2 AND 4-DOOR

Publications No.

All 33545

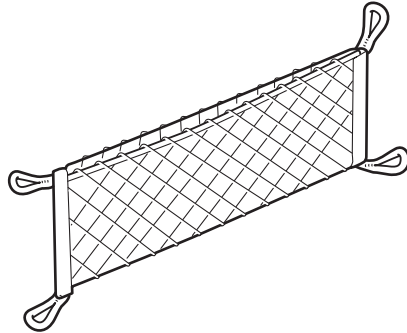
Issue Date

AUG 2006

Put this information in the glove box with the vehicle's owner's manual

PARTS LIST

Cargo net



2 Anchor "A"



4 Anchor "B"



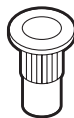
2 Bolts



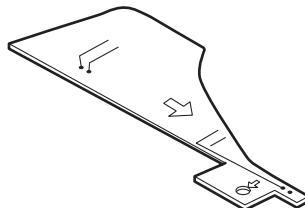
4 Self-tapping screws



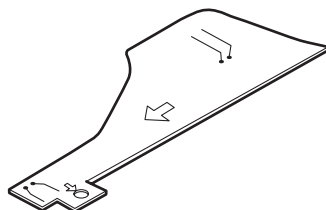
2 Rivnuts



Template "L"



Template "R"



TOOLS REQUIRED

Flat-tip screwdriver

Rivnut tool

Allen wrench

19 mm and 27 mm wrench

Utility knife

Felt-tip pen

Drill

3 mm, 5.5 mm, and 9 mm Drill bits

Center-punch

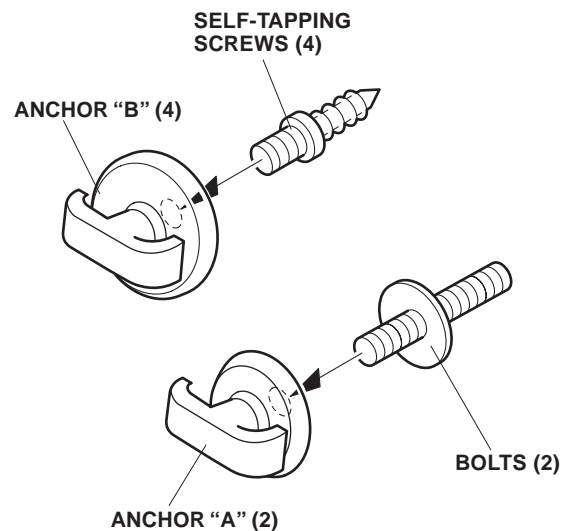
Clip remover

Eye protection

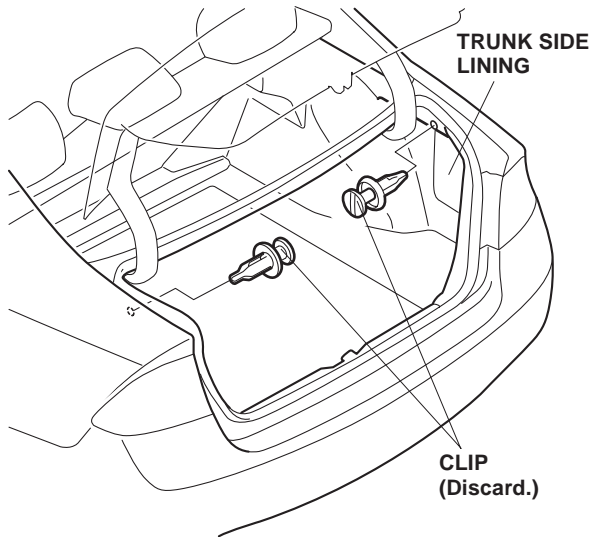
INSTALLATION

Customer Information: The information in this installation instruction is intended for use only by skilled technicians who have the proper tools, equipment, and training to correctly and safely add equipment to your vehicle. These procedures should not be attempted by "do-it-yourselfers."

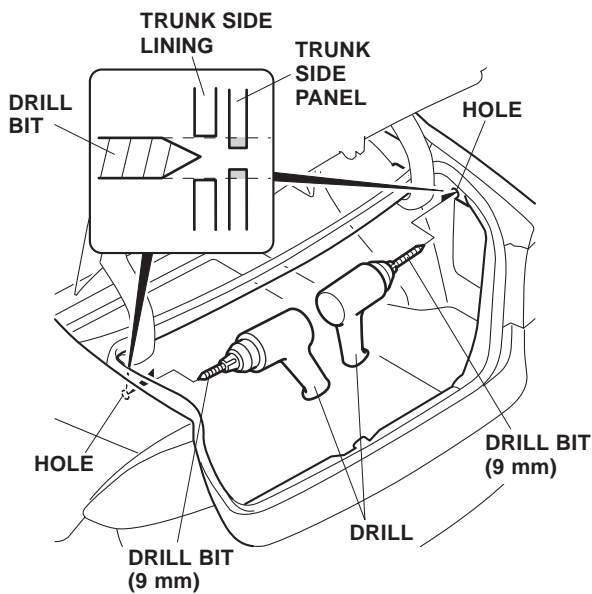
1. Temporarily install two bolts into each anchor "A" and install four self-tapping screws into each anchor "B".



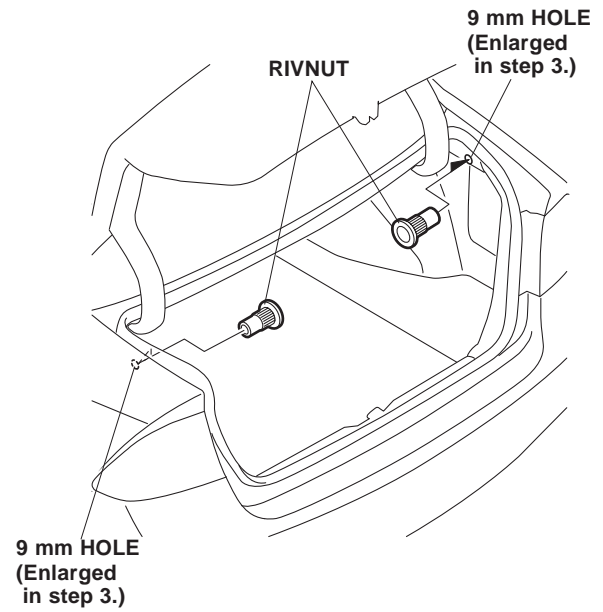
- Open the trunk, and remove the two clips from the trunk side lining.



- While wearing eye protection, drill the two clip holes in the right and left trunk side panels to 9 mm. Remove any burrs, and apply touch-up paint to each hole.

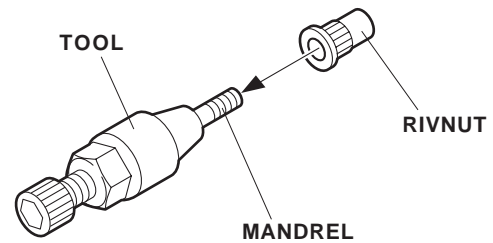


- Install two rivnuts in the 9 mm holes you enlarged in step 3.

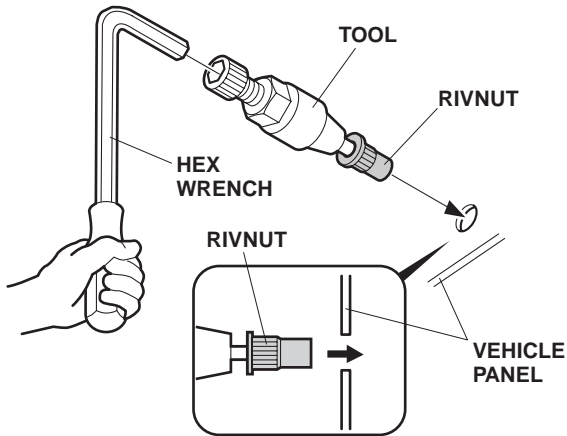


Installing the Rivnuts

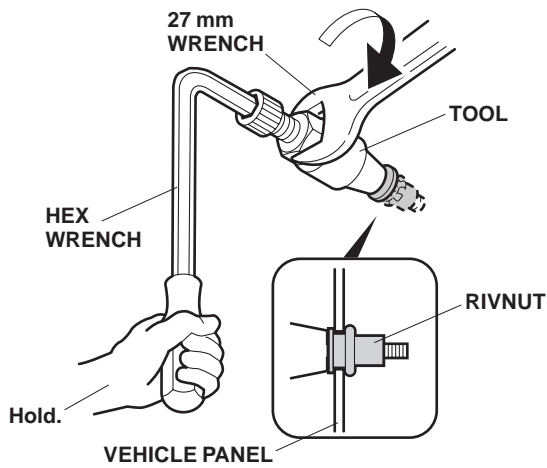
- Thread the rivnut onto the mandrel of the tool as shown.



6. Insert the rivnut into the hole in the vehicle panel.

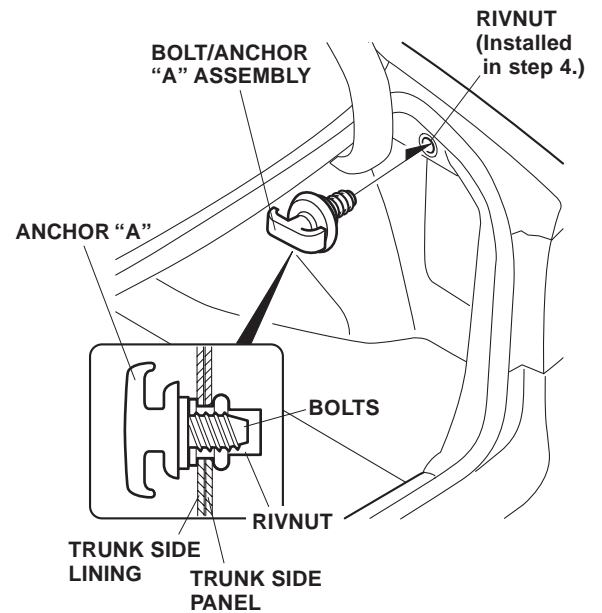


7. While holding the tool with the hex wrench, rotate the 27 mm wrench clockwise and install the rivnut on the vehicle panel.

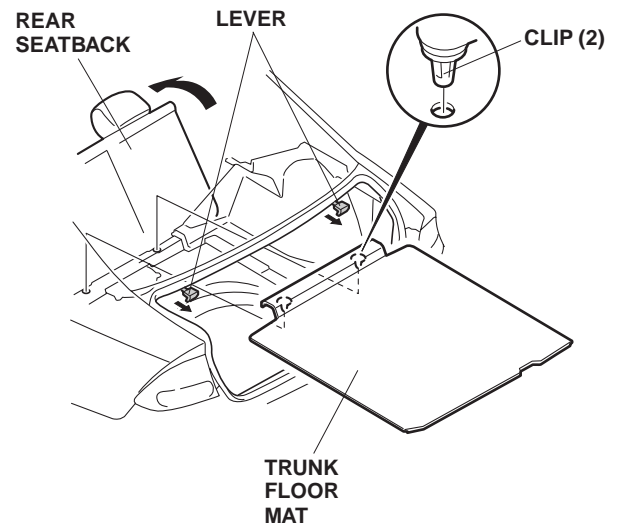


8. Remove the tool from the rivnut by turning the hex wrench counterclockwise.

9. Install the two bolt/anchor "A" assemblies into the rivnuts.

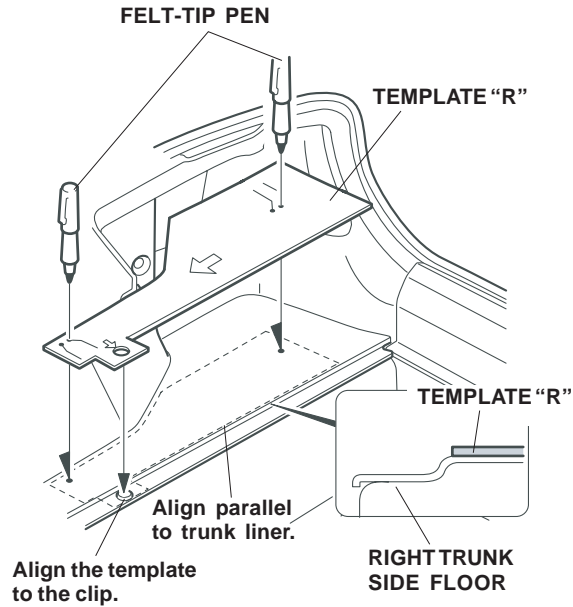


10. Fold the rear seat-back forward by pulling the levers under the rear parcel shelf. Remove the trunk floor mat (two clips).



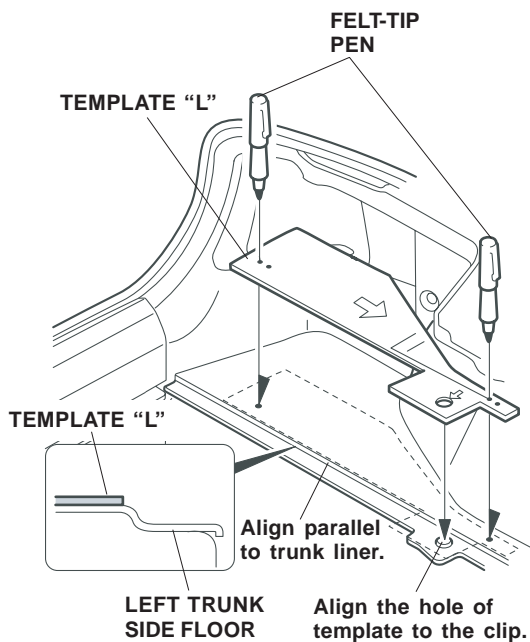
- Position the template "R" on the right trunk side floor by aligning the clip with the hole and the edge parallel with the trunk side lining. Mark the floor using a felt-tip pen. Remove the template.

NOTE: If the vehicle you are working on is a 2-door, mark on the 2-Door marks. Use the 4-Door marks for 4-door vehicles.

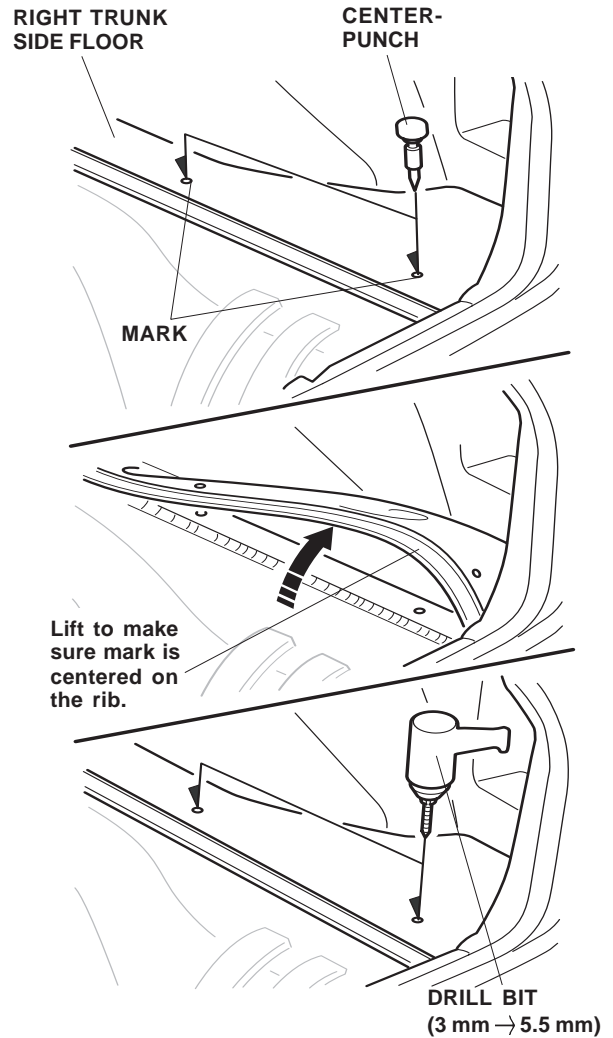


- Position the template "L" on the left trunk side floor by aligning the clip with the hole and the edge parallel with the trunk side side lining. Mark the floor using a felt-tip pen. Remove the template.

NOTE: If the vehicle you are working on is a 2-door, mark on the 2-Door marks. Use the 4-Door marks for 4-door vehicles.

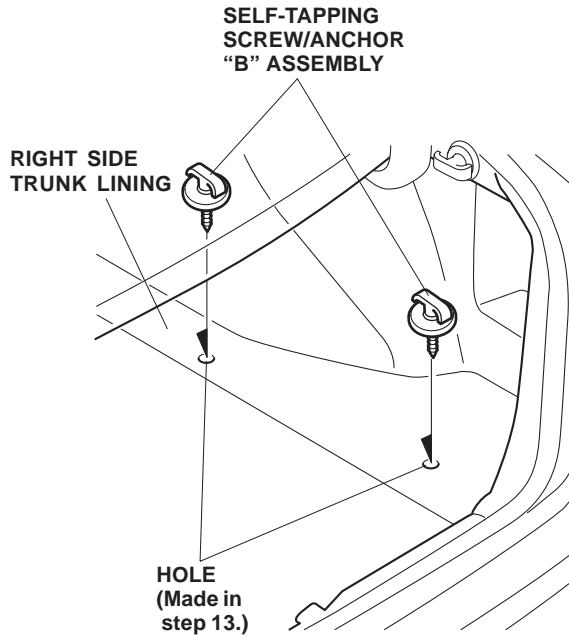


- Center-punch the marks you made. Lift the trunk liner and check that the center-punched marks you made are centered on the sheet metal rib. While wearing eye protection, drill a 5.5 mm hole through each mark. Start with a 3 mm drill bit and finish with a 5.5 mm drill bit. Remove any burrs, and apply touch-up paint to each hole.

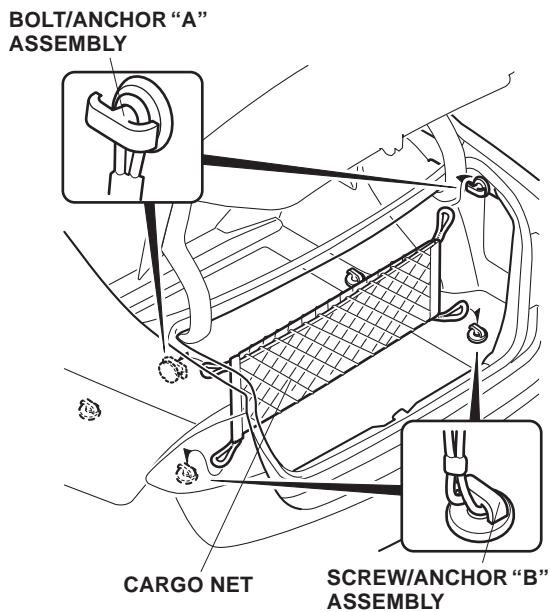


- Repeat step 13 to drill the left side of the vehicle.

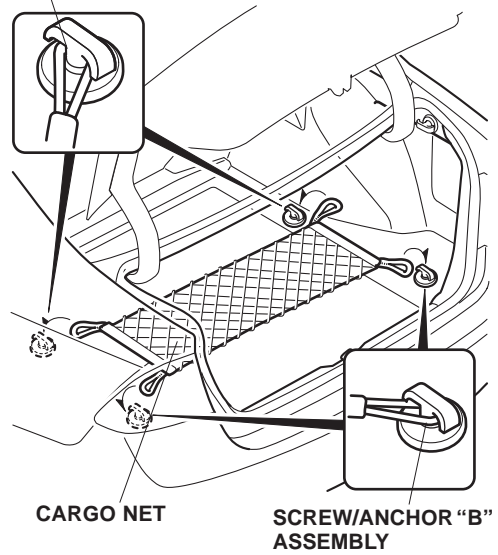
- Install a self-tapping screw/anchor "B" assembly into each 5.5 mm hole you made.



- Repeat step 15 to install the anchors on the left side of the vehicle.
- Install the cargo net to the anchors in the trunk. The cargo net can be installed in two different positions.



SCREW/ANCHOR "B" ASSEMBLY



NOTE:

- Do not store large or fragile objects in the net.
- Do not store objects with sharp edges or corners, as they may damage the cargo net or the car. Wrap such objects in paper or a blanket so they will not contact the net directly.